



Lawson®

72" drop-in bath
71301100



Features

- 20 bath depth.
- End drain can be installed as left- or right-hand drain.

Material

- Compression molded from our exclusive solid Vikrell® material.
- Durable high-gloss finish.

Installation

- Drop-in.

Recommended Products/Accessories

- 1500D-36 Framed pivot shower door
- 1505D-36 Framed pivot shower door
- 1507D-36 Framed pivot shower door
- 1530D-36 Framed pivot shower door
- 1535D-36 Framed pivot shower door
- 6506-33 Framed pivot shower door
- 80001012 12" straight grab bar
- 80001018 18" straight grab bar
- 80001024 24" straight grab bar
- K-23726 Drain treatment
- K-23733 Vikrell® cleaner



Codes/Standards



- CSA B45.5/IAPMO Z124
- ASTM E162
- ASTM E662
- HUD, UM Bulletin 73

Warranty – Bathing Fixtures (and) Kitchen and Utility Sinks Made of Solid Vikrell® Material

See website for detailed warranty information.

Available Colors/Finishes

Color tiles intended for reference only.

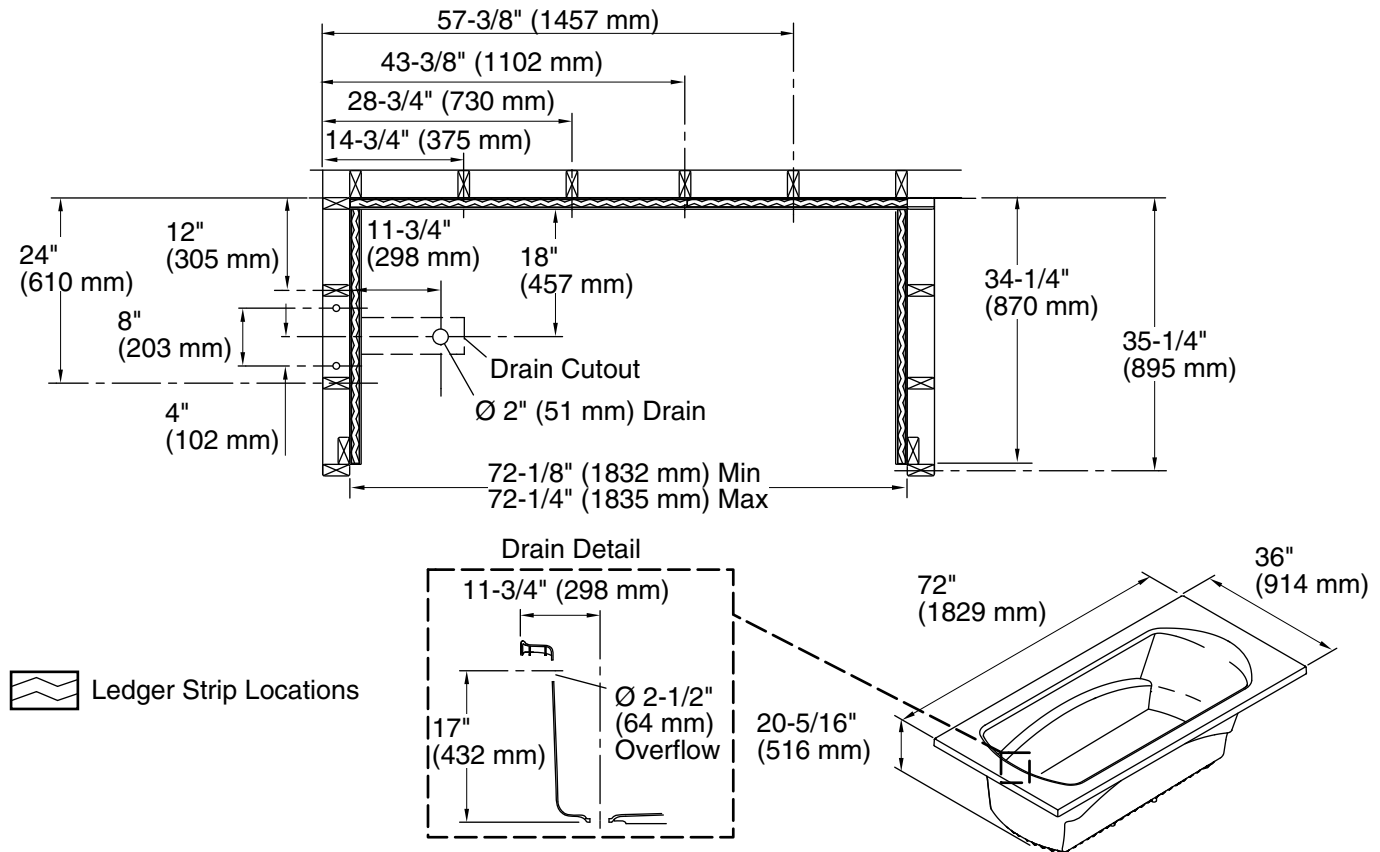
| Color | Code | Description |
|--|------|----------------|
|  | 0 | White |
|  | 96 | KOHLER Biscuit |

1-800-STERLING (1-800-783-7546)

Kohler Co. reserves the right to make revisions without notice to product specifications.

For the most current Specification Sheet, go to www.sterlingplumbing.com.

2-17-2020 15:05 - US



Technical Information

All product dimensions are nominal.

| | |
|------------------------|--------------------------------------|
| Installation: | Drop-in |
| Drain location: | End |
| Basin area, bottom: | 50-3/8" x 21-3/4" (1280 mm x 552 mm) |
| Basin area, top: | 58-1/4" x 27" (1480 mm x 686 mm) |
| Weight: | 23 lbs (10.4 kg) |
| Water depth: | 15-1/4" (387 mm) |
| Water capacity: | 68 gal (257.4 L) |
| Minimum flat for door: | 3" (76 mm) |

Notes

Install this product according to the installation instructions.