



### Features

- Durable high-gloss finish.
- End drain can be installed as left- or right-hand drain.
- Two optional aprons available (with and without front access panel)
- Optional flange kit available for easier conversion to alcove installation. Kit provides continuous rim support and added water containment benefits compared to nonflanged alcove installation .

### Material

- Made from solid Vikrell® material for strength, durability, and lasting beauty.

### Installation

- Drop-in.

### Recommended Products/Accessories

- 71268100 Bath apron
- 76268100 Bath apron w/ removable access panel
- 71287100 Tile-in flange kit for 60" soaking baths
- K-23726 Drain treatment
- K-23733 Vikrell® cleaner



### Codes/Standards



- CSA B45.5/IAPMO Z124
- ASTM E162
- ASTM E662
- HUD, UM Bulletin 73

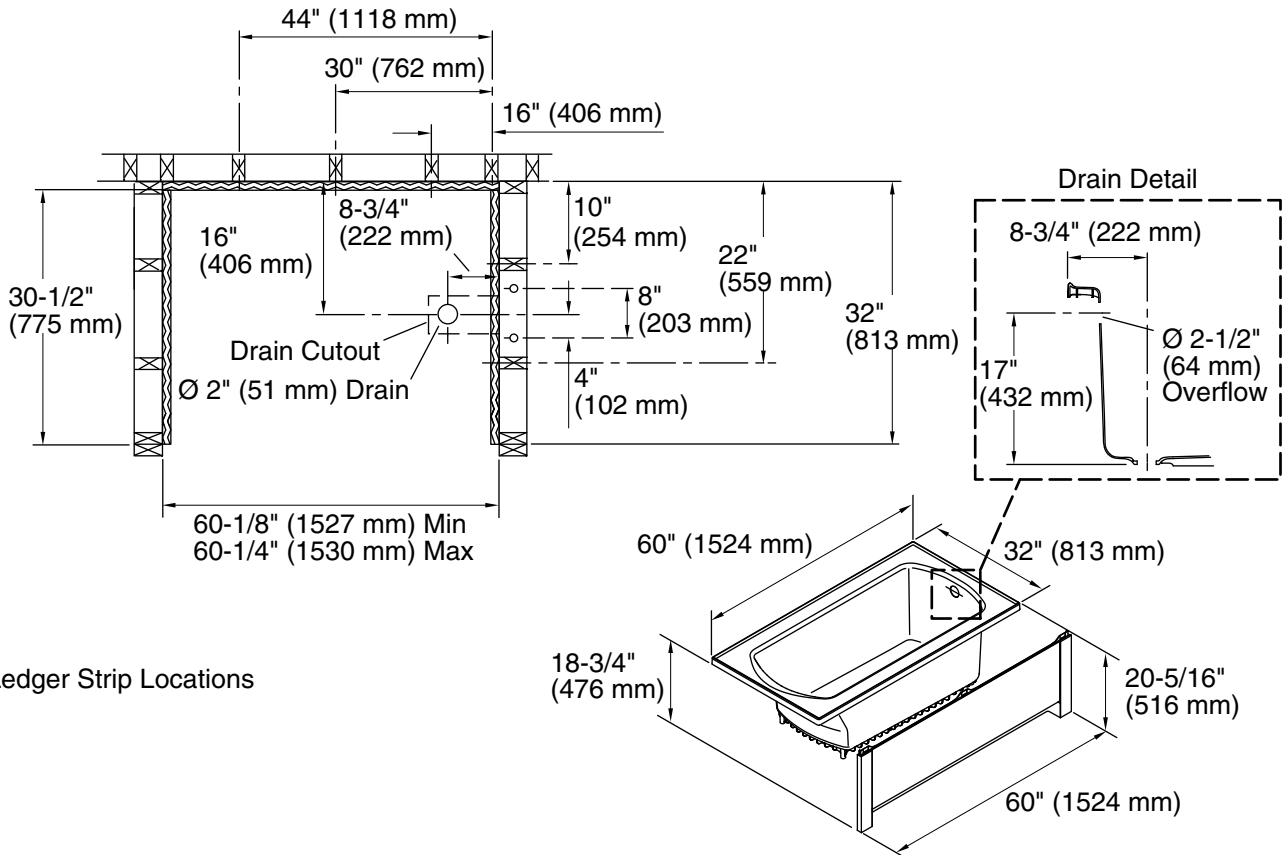
### Warranty – Bathing Fixtures (and) Kitchen and Utility Sinks Made of Solid Vikrell® Material

See website for detailed warranty information.

### Available Colors/Finishes

*Color tiles intended for reference only.*

Color	Code	Description
	0	White
	96	KOHLER Biscuit



### Technical Information

All product dimensions are nominal.

Installation:	Drop-in
Drain location:	End
Basin area, bottom:	44" x 21-1/2" (1118 mm x 546 mm)
Basin area, top:	51" x 22-3/4" (1295 mm x 578 mm)
Water depth:	15-1/4" (387 mm)
Water capacity:	51 gal (193.1 L)
Minimum flat for door:	3" (76 mm)
Maximum door width:	60" (1524 mm)

### Notes

Install this product according to the installation instructions.

Studs should be positioned roughly as shown.