



**Accord®**  
30" ADA adaptable smooth bath/shower grab bar kit  
**71247103**

**Features**

- Includes (5) 1-1/2" (38 mm) diameter grab bars for installation on finished Accord 60" x 32" bath/showers with Aging in Place backerboards.
- Provides minimum 300 lb load capacity.

**Material**

- Stainless steel construction.

**Recommended Products/Accessories**

- 71141118 60" x 30" AFD bath LH drain, AIP backers
- 71141128 60" x 30" AFD bath RH drain, AIP backers
- 71244106 60" x 30" smooth bath wall set, AIP backers
- K-23729 Stainless steel cleaner
- 71147104 30" bath seat kit

**Included Components**

Additional Components:

- Escutcheons
- Fasteners



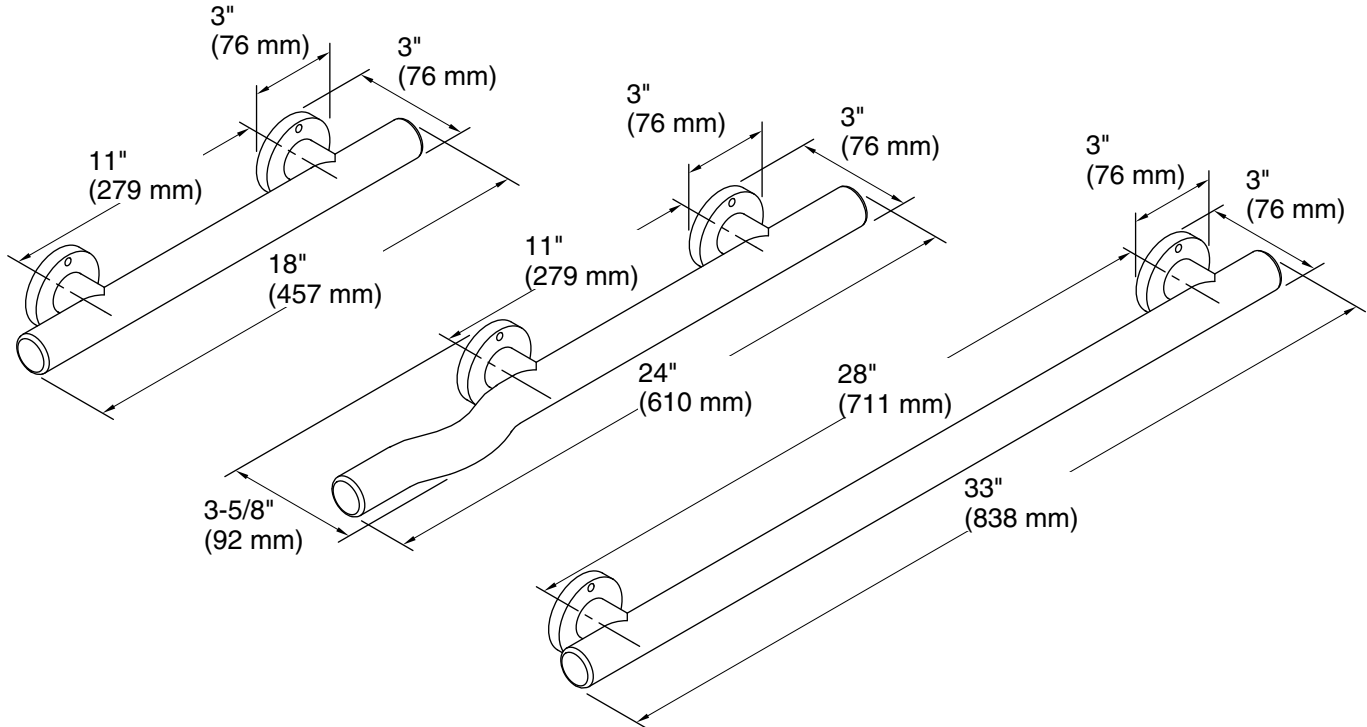
**ADA**

**Codes/Standards**

ADA  
ICC/ANSI A117.1

**STERLING® Grab Bars Ten-Year Limited Warranty**

See website for detailed warranty information.



**Technical Information**

All product dimensions are nominal.

Installation Type: Wall-mount

Material: Stainless Steel

**Notes**

Grab bars must be properly installed to adequately support the weight of the user.

Obtain backer board locations from the specification sheet for your shower wall model.

Use a stud finder to verify backer board locations before installation.

ADA compliant when installed to the specific requirements of these regulations.