



Accord®

30" ADA adaptable smooth bath/shower grab bar kit

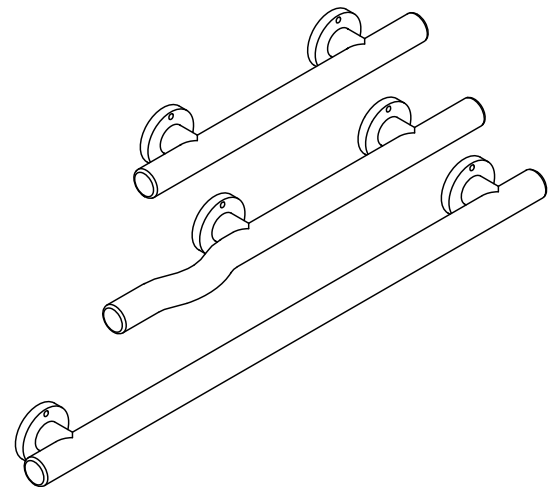
71247103

Features

- Includes five stainless steel bars.

Recommended Products/Accessories

- 71240118 60" AFD smooth bath/shower w/Aging in Place backerboards
- 71240128 60" AFD smooth bath/shower w/Aging in Place backerboards
- 71141112 60" AFD bath/shower
- 71141118 60" AFD bath with Aging in Place backerboard
- 71141122 60" AFD bath/shower
- 71141128 60" AFD with Aging in Place backerboard
- 71244106 60" smooth wall set with Aging in Place backerboards
- K-23729 Stainless steel cleaner



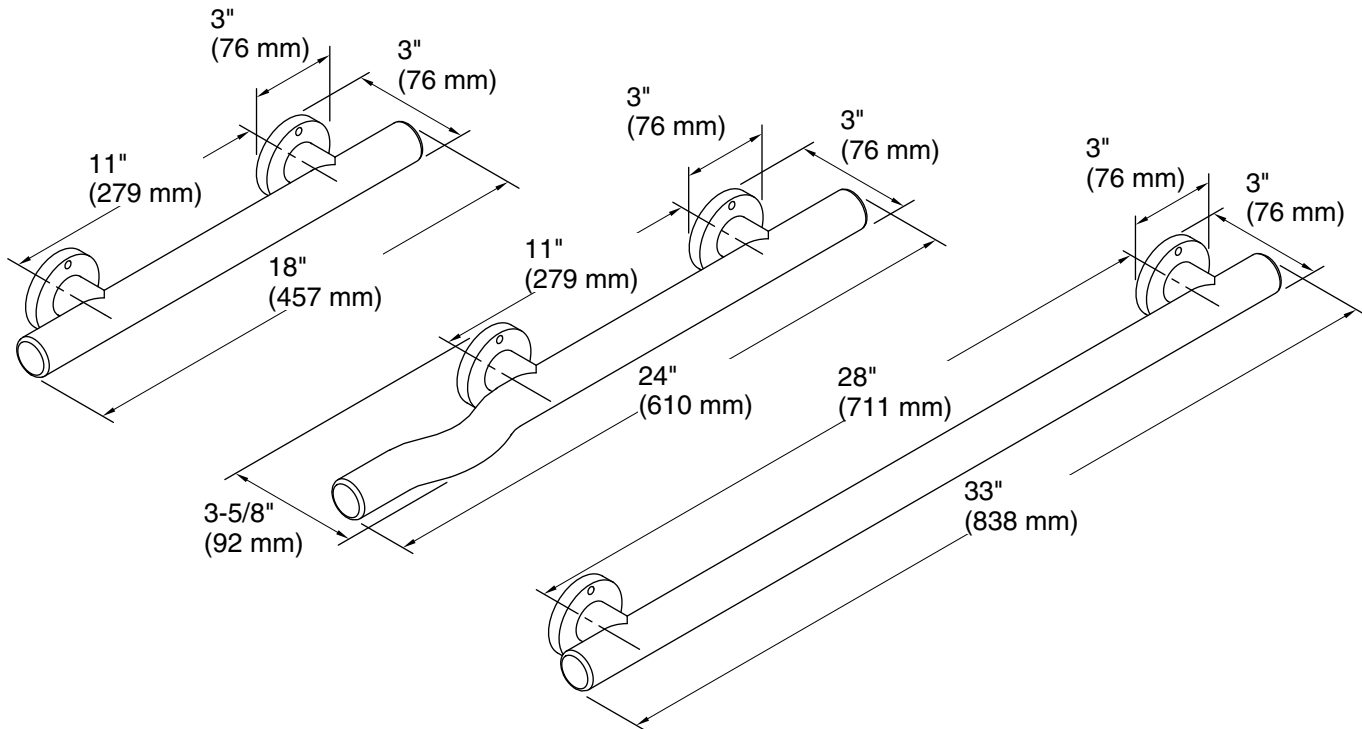
ADA

Codes/Standards

ADA
ICC/ANSI A117.1

STERLING® Warranty - Grab Bars

See website for detailed warranty information.



Technical Information

All product dimensions are nominal.

Material: Stainless Steel

Notes

Grab bars must be properly installed to adequately support the weight of the user.

Obtain backer board locations from the specification sheet for your shower wall model.

Use a stud finder to verify backer board locations before installation.

ADA compliant when installed to the specific requirements of these regulations.