



Accord®

60" bath/shower with Aging in Place grab bars

71240113-N



Features

- Tongue-and-groove modular design allows for easy installation during any phase of construction.
- Integral apron.
- Convenient shelves provide generous storage space.
- Easy to clean, durable high-gloss finish.
- Includes three Aging in Place Nickel grab bars (one 80011032 and two 80001024).

Material

- Compression molded from our exclusive solid Vikrell® material.

Installation

- Alcove.
- Caulk-free installation.
- Left drain.

Recommended Products/Accessories

- 500C-59 Framed sliding bath door
- 690B-59 Framed sliding bath door
- 5425-57 Frameless sliding bath door
- 5425-59 Frameless sliding bath door
- 5905-59 Framed sliding bath door
- 5906-59 Framed sliding bath door
- 5907-59 Framed sliding bath door
- 542808-59 Frameless sliding bath door
- 572005-59 Framed sliding shower door
- 581005-59 Frameless sliding bath door
- 71247103 30" ADA adaptable smooth bath/shower grab bar kit
- 71147104 30" bath seat kit
- K-23726 Drain treatment
- K-23723 Faucet cleaner
- K-23733 Vikrell® cleaner

Included Components

Product consists of:

- 71244103-N 60" wall set with Aging in Place grab bars
- 71141110 60" x 30" bath with left drain



Codes/Standards

- CSA B45.5/IAPMO Z124
- ASTM E162
- ASTM E662
- HUD, UM Bulletin 73

Warranty – Bathing Fixtures (and Kitchen and Utility Sinks Made of Solid Vikrell® Material)



STERLING® Warranty - Grab Bars

See website for detailed warranty information.

Available Colors/Finishes

Color tiles intended for reference only.

Color Code Description

	0	White
	96	KOHLER Biscuit

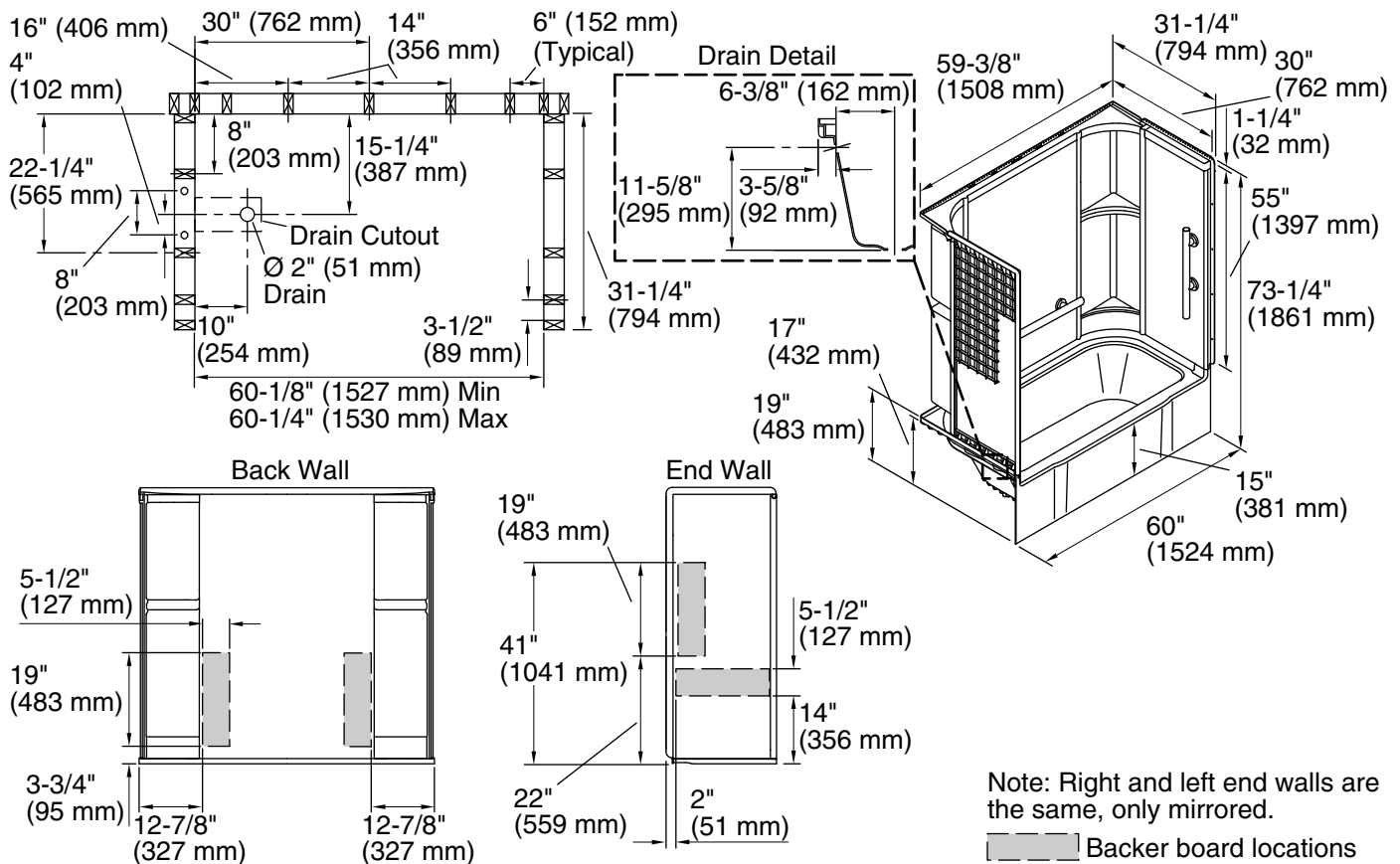
1-800-STERLING (1-800-783-7546)

Kohler Co. reserves the right to make revisions without notice to product specifications.

For the most current Specification Sheet, go to www.sterlingplumbing.com.

3-31-2020 05:51 - US

60" bath/shower with Aging in Place grab bars 71240113-N



Technical Information

All product dimensions are nominal.

Installation: Three-wall alcove

Drain location: Left

Basin area, bottom: 46-1/4" x 20-1/2" (1175 mm x 521 mm)

Basin area, top: 52-1/4" x 22-1/2" (1327 mm x 572 mm)

Water depth: 11" (279 mm)

Water capacity: 34 gal (128.7 L)

Minimum flat for door: 2-3/4" (70 mm)

Maximum door height: 56-1/2" (1435 mm)

Maximum door width: 56-3/4" (1441 mm)

Notes

Install this product according to the installation instructions.

Product is designed to be used with a single-hole mixer valve with an escutcheon cover not to exceed 7-3/4" (197 mm) in width.

Studs should be positioned roughly as shown.

Double studing is recommended for pivot shower door installations.

Bath cannot be installed without the wall surround.

Attach grab bars at the specified backerboard locations only.

Width of back wall at top transitions from 60" (1524 mm) at the front to 59-3/8" (1508 mm) in the back corners. Furring strips approximately 1/4" (6 mm) thick should be used at the back corner studs if drywall is to be installed over the nailing flange.