



Accord®
60" x 36" bath/shower w/AIP backerboards
71160126



Features

- 20" apron.
- Pivot snap-together modular design.
- Geometric back-wall design.
- Molded-in shelves.
- Aging In Place backerboards.

Material

- Made from solid Vikrell® material for strength, durability, and lasting beauty.

Installation

- Alcove.
- Right drain.
- Caulk-free installation.

Recommended Products/Accessories

- K-23726 Drain treatment
- K-23733 Vikrell® cleaner

Included Components

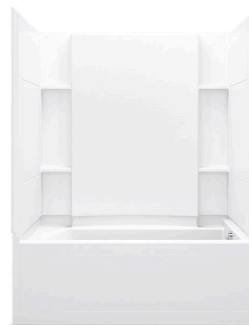
- Product consists of:
- 71164106 60" x 36" bath/shower wall set w/ AIP backerboards
 - 71161120 60" x 36" bath

Codes/Standards

- CSA B45.5/IAPMO Z124
- ASTM E162
- ASTM E662
- HUD, UM Bulletin 73

Warranty – Bathing Fixtures (and) Kitchen and Utility Sinks Made of Solid Vikrell® Material

See website for detailed warranty information.

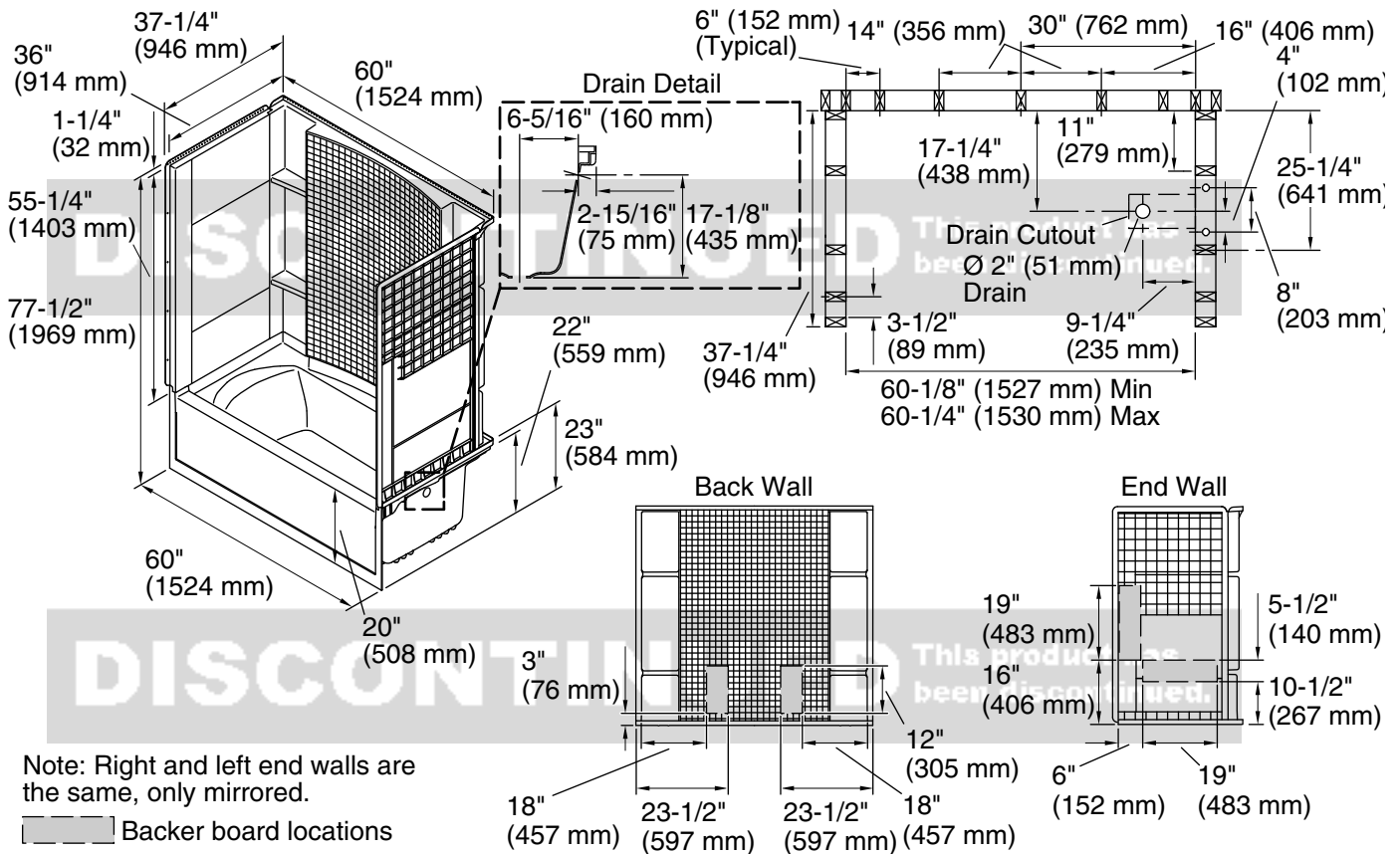


DISCONTINUED This product has been discontinued.

1-800-STERLING (1-800-783-7546)

Kohler Co. reserves the right to make revisions without notice to product specifications.

For the most current Specification Sheet, go to www.sterlingplumbing.com.



Technical Information

All product dimensions are nominal.

Installation: Three-wall alcove

Drain location: Right

Basin area, bottom: 22-7/8" x 46" (581 mm x 1168 mm)

Basin area, top: 24-7/8" x 50-7/8" (632 mm x 1292 mm)

Water depth: 15-1/8" (384 mm)

Water capacity: 70 gal (265 L)

Maximum door height: 55-7/8" (1419 mm)

Maximum door width: 56-3/4" (1441 mm)

Notes

Install this product according to the installation instructions.

Studs should be positioned roughly as shown.

Double studding is recommended for pivot shower door installations.

Attach grab bars at the specified backerboard locations only.