



Accord®

60" bath/shower with Aging in Place grab bars

71160123-V



Features

- Tongue-and-groove modular design allows for easy installation during any phase of construction.
- Integral apron.
- Realistic tile pattern with convenient shelves for ample storage.
- Easy to clean, durable high-gloss finish.
- Includes three Aging in Place Matte Silver grab bars (one 80012134 and two 80001024).

Material

- Compression molded from our exclusive solid Vikrell® material.

Installation

- Alcove.
- Caulk-free installation.
- Right drain.

Recommended Products/Accessories

- 5425-57 Frameless sliding bath door
- 5425-59 Frameless sliding bath door
- 5427-59 Frameless sliding bath door
- 542808-59 Frameless sliding bath door
- K-23726 Drain treatment
- K-23723 Faucet cleaner
- K-23733 Vikrell® cleaner

Included Components

- Product consists of:
- 71161120 60" bath
 - 71164103-V 60" wall set with Aging in Place grab bars



Codes/Standards

- CSA B45.5/IAPMO Z124
- ASTM E162
- ASTM E662
- HUD, UM Bulletin 73



Warranty – Bathing Fixtures (and Kitchen and Utility Sinks Made of Solid Vikrell® Material)

STERLING® Warranty - Grab Bars

See website for detailed warranty information.

Available Colors/Finishes

Color tiles intended for reference only.

Color	Code	Description
	0	White
	96	KOHLER Biscuit

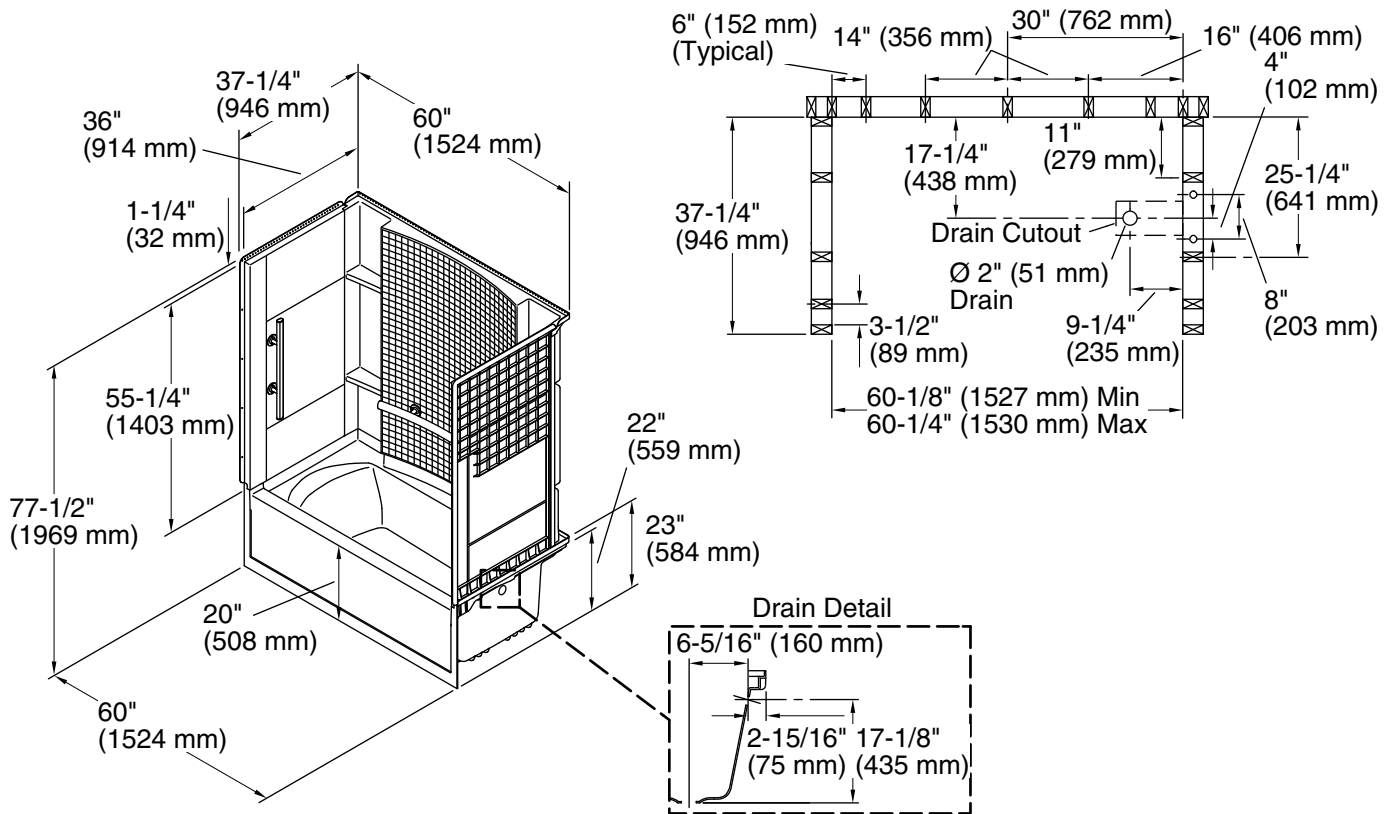
1-800-STERLING (1-800-783-7546)

Kohler Co. reserves the right to make revisions without notice to product specifications.

For the most current Specification Sheet, go to www.sterlingplumbing.com.

8-22-2020 13:05 - US

60" bath/shower with Aging in Place grab bars 71160123-V



Technical Information

All product dimensions are nominal.

Installation:	Three-wall alcove
Drain location:	Right
Basin area, bottom:	22-7/8" x 46" (581 mm x 1168 mm)
Basin area, top:	24-7/8" x 50-7/8" (632 mm x 1292 mm)
Water depth:	15-1/8" (384 mm)
Water capacity:	70 gal (265 L)
Minimum flat for door:	2-3/4" (70 mm)
Maximum door height:	55-7/8" (1419 mm)
Maximum door width:	56-3/4" (1441 mm)

Notes

- Install this product according to the installation instructions.
- Studs should be positioned roughly as shown. Double studding is recommended for pivot shower door installations.
- Bath cannot be installed without the wall surround.
- Attach grab bars at the specified backerboard locations only.