



Features

- Tongue-and-groove modular design allows for easy installation during any phase of construction.
- Integral apron.
- Realistic tile pattern with convenient shelves for ample storage.
- Easy to clean, durable high-gloss finish.
- Includes three Aging in Place Matte Silver grab bars (one 80012134 and two 80001024).

Material

- Compression molded from our exclusive solid Vikrell® material.

Installation

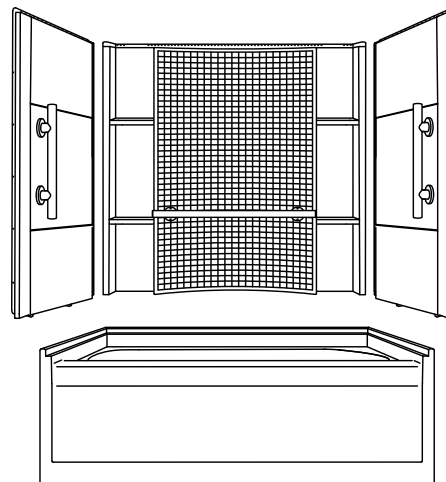
- Alcove.
- Caulk-free installation.
- Left drain.

Recommended Products/Accessories

- 5425-57 Frameless sliding bath door
- 5425-59 Frameless sliding bath door
- 5427-59 Frameless sliding bath door
- 542808-59 Frameless sliding bath door
- K-23726 Drain treatment
- K-23723 Faucet cleaner
- K-23733 Vikrell® cleaner

Included Components

- Product consists of:
- 71161110 60" bath
 - 71164103-V 60" wall set with Aging in Place grab bars



Codes/Standards

- CSA B45.5/IAPMO Z124
- ASTM E162
- ASTM E662
- HUD, UM Bulletin 73

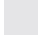

Warranty – Bathing Fixtures (and Kitchen and Utility Sinks Made of Solid Vikrell® Material)

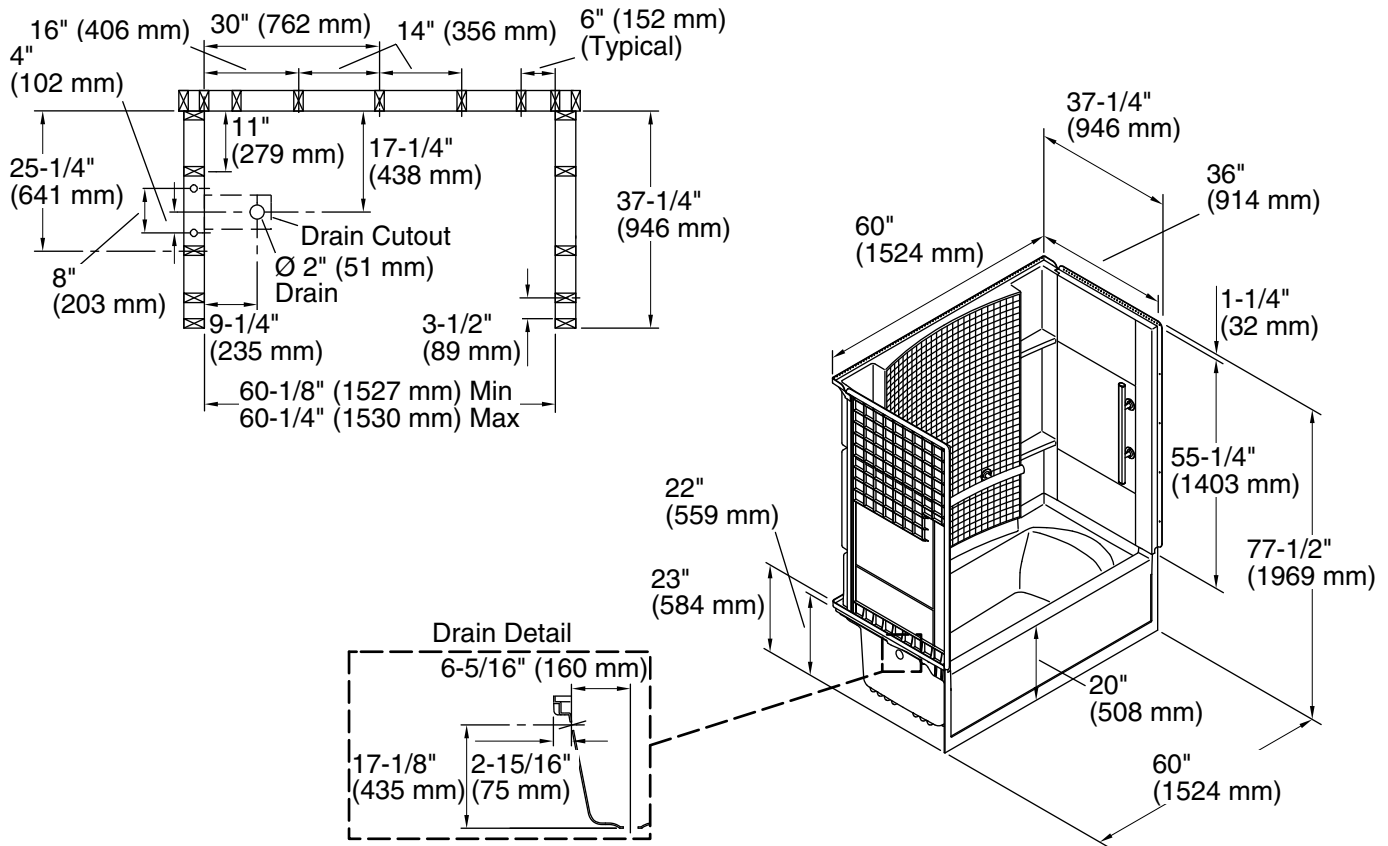
STERLING® Warranty - Grab Bars

See website for detailed warranty information.

Available Colors/Finishes

Color tiles intended for reference only.

Color	Code	Description
	0	White
	96	KOHLER Biscuit



Technical Information

All product dimensions are nominal.

- Installation: Three-wall alcove
- Drain location: Left
- Basin area, bottom: 22-7/8" x 46" (581 mm x 1168 mm)
- Basin area, top: 24-7/8" x 50-7/8" (632 mm x 1292 mm)
- Water depth: 15-1/8" (384 mm)
- Water capacity: 70 gal (265 L)
- Minimum flat for door: 2-3/4" (70 mm)
- Maximum door height: 55-7/8" (1419 mm)
- Maximum door width: 56-3/4" (1441 mm)

Notes

- Install this product according to the installation instructions.
- Studs should be positioned roughly as shown.
- Double studding is recommended for pivot shower door installations.
- Bath cannot be installed without the wall surround.
- Attach grab bars at the specified backerboard locations only.