



Accord®

60" Bath/shower
71160110



Features

- 20" apron.
- Pivot snap-together modular design.
- Geometric back-wall design.
- Molded-in shelves.

Material

- Made from solid Vikrell® material for strength, durability, and lasting beauty.

Installation

- Alcove.
- Left drain.
- Caulk-free installation.

Recommended Products/Accessories

- K-23726 Drain treatment
- K-23733 Vikrell® cleaner

Included Components

Product consists of:

- 71164100 60" bath/shower wall set
- 71161110 60" bath



Codes/Standards



- CSA B45.5/IAPMO Z124
- ASTM E162
- ASTM E662
- HUD, UM Bulletin 73

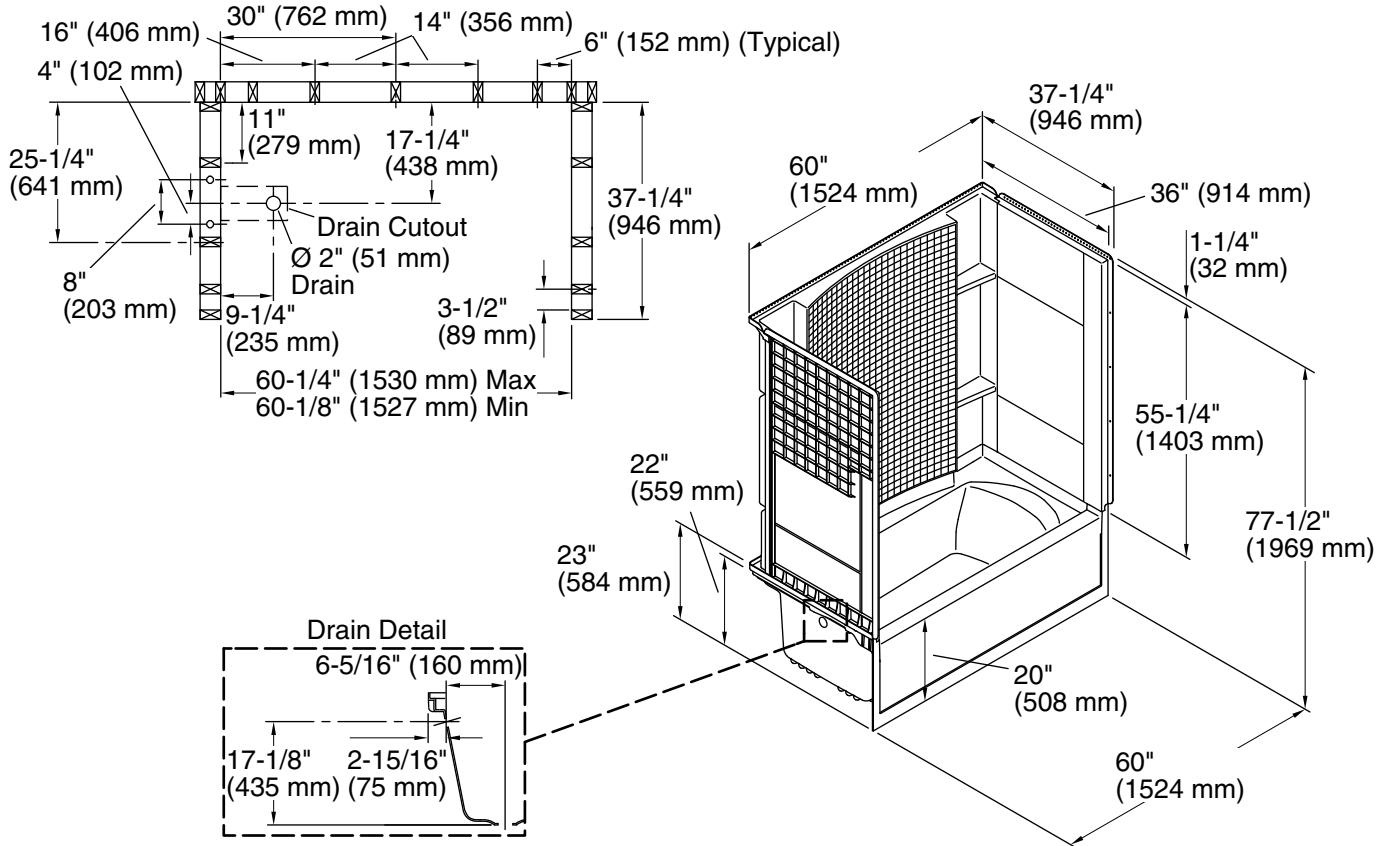
Warranty – Bathing Fixtures (and) Kitchen and Utility Sinks Made of Solid Vikrell® Material

See website for detailed warranty information.

Available Colors/Finishes

Color tiles intended for reference only.

Color	Code	Description
	0	White
	96	KOHLER Biscuit



Technical Information

All product dimensions are nominal.

Installation:	Three-wall alcove
Drain location:	Left
Basin area, bottom:	22-7/8" x 46" (581 mm x 1168 mm)
Basin area, top:	24-7/8" x 50-7/8" (632 mm x 1292 mm)
Water depth:	15-1/8" (384 mm)
Water capacity:	70 gal (265 L)
Minimum flat for door:	2-3/4" (70 mm)
Maximum door height:	55-7/8" (1419 mm)
Maximum door width:	56-3/4" (1441 mm)

Notes

- Install this product according to the installation instructions.
- Studs should be positioned roughly as shown.
- Double studding is recommended for pivot shower door installations.