



Accord®
32" bath/shower grab bar kit
71157103

Features

- Includes (5) 1-1/2" (38 mm) diameter grab bars for installation on finished Accord 60" x 32" bath/showers with Aging in Place backerboards
- Provides minimum 300 lb load capacity

Material

- Stainless steel construction

Recommended Products/Accessories

- K-23729 Stainless steel cleaner
- 71151110 60" x 32" Vikrell® bath, left drain
- 71151120 60" x 32" Vikrell® bath, right drain
- 71154106 60" x 32" Vikrell® bath/shower wall set with Aging in Place backerboards
- 1095008 Plastic Seat



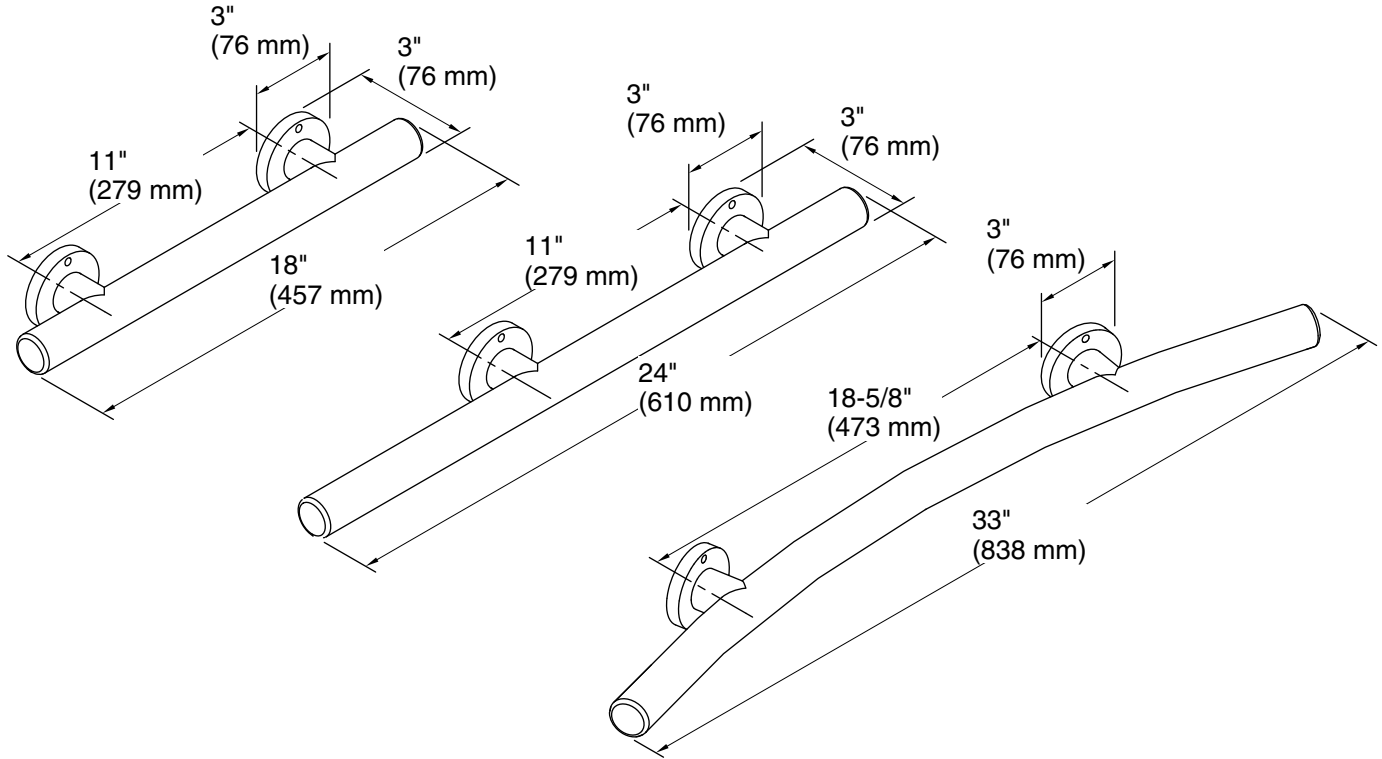
ADA

Codes/Standards

ADA
ICC/ANSI A117.1

STERLING® Grab Bars Ten-Year Limited Warranty

See website for detailed warranty information.



Technical Information

All product dimensions are nominal.

Material: Stainless Steel

Notes

- Grab bars must be properly installed to adequately support the weight of the user.
- Obtain backer board locations from the specification sheet for your shower wall model.
- Use a stud finder to verify backer board locations before installation.
- ADA compliant when installed to the specific requirements of these regulations.