



Accord®

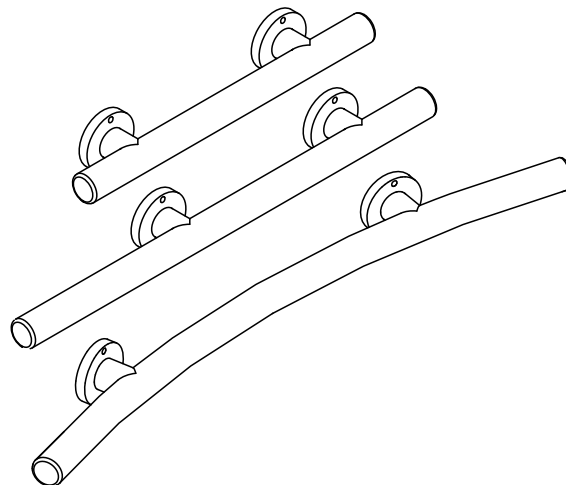
32" bath/shower grab bar kit
71157103

Features

- Includes five stainless steel bars.

Recommended Products/Accessories

K-23729 Stainless steel cleaner



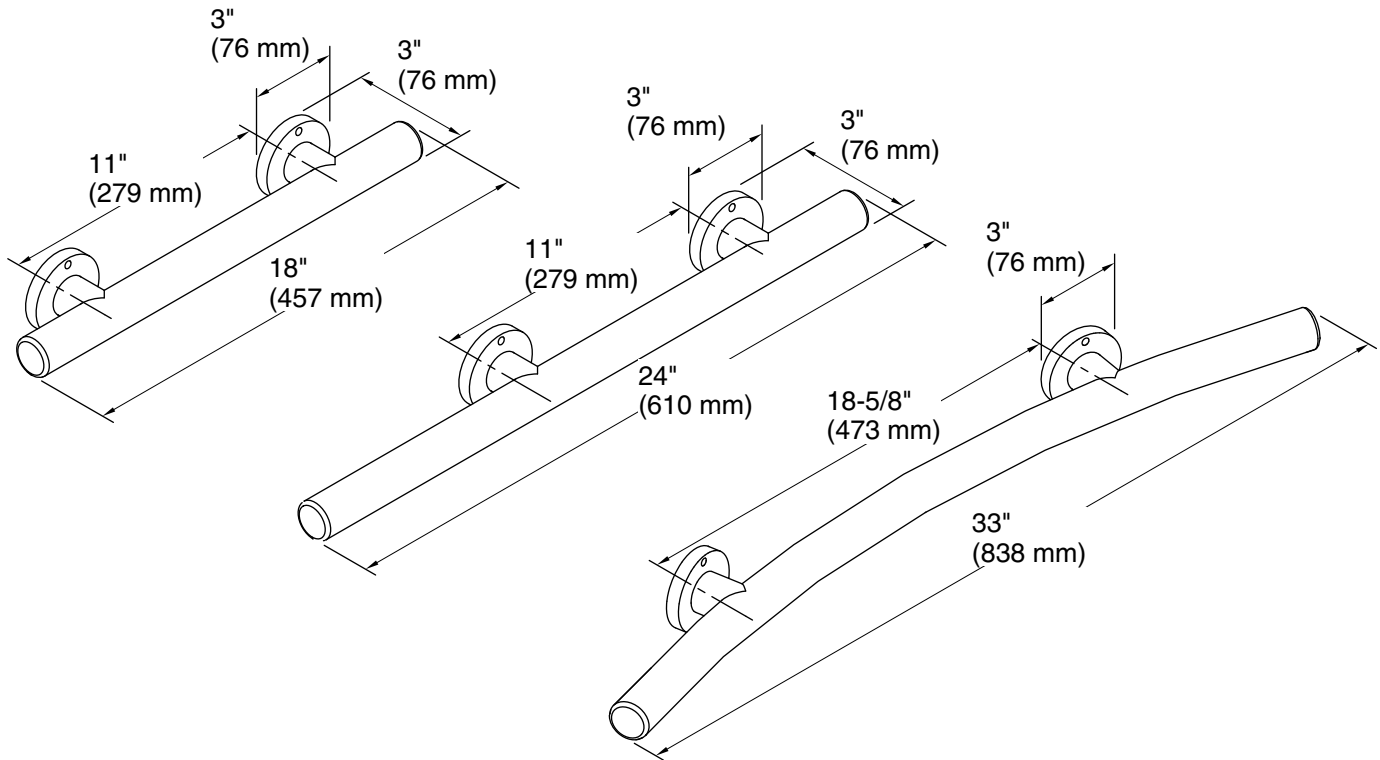
ADA

Codes/Standards

ADA
ICC/ANSI A117.1

STERLING® Warranty - Grab Bars

See website for detailed warranty information.



Technical Information

All product dimensions are nominal.

Material: Stainless Steel

Notes

Grab bars must be properly installed to adequately support the weight of the user.

Obtain backer board locations from the specification sheet for your shower wall model.

Use a stud finder to verify backer board locations before installation.

ADA compliant when installed to the specific requirements of these regulations.