



# Accord®

## 30" tile bath/shower w/ADA-adaptable grab bar kit

### 71147103

#### Features

- Includes (5) 1-1/2" (38 mm) diameter grab bars for installation on finished Accord Tile 60x30 bath/showers with age-in-place backers.
- Provides minimum 300 lb. load capacity.

#### Material

- Stainless steel construction.

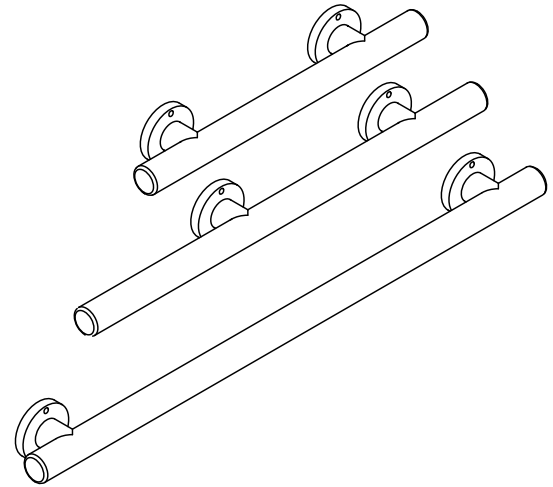
#### Recommended Products/Accessories

- 71147104 30" bath seat kit
- K-23729 Stainless steel cleaner
- 71141118 60" x 30" AFD bath with Aging in Place backerboard
- 71141128 60" x 30" AFD with Aging in Place backerboard
- 71144106 60" x 31-1/4" tile wall set w/Aging in Place backerboards

#### Included Components

Additional Components:

- Escutcheons
- Fasteners



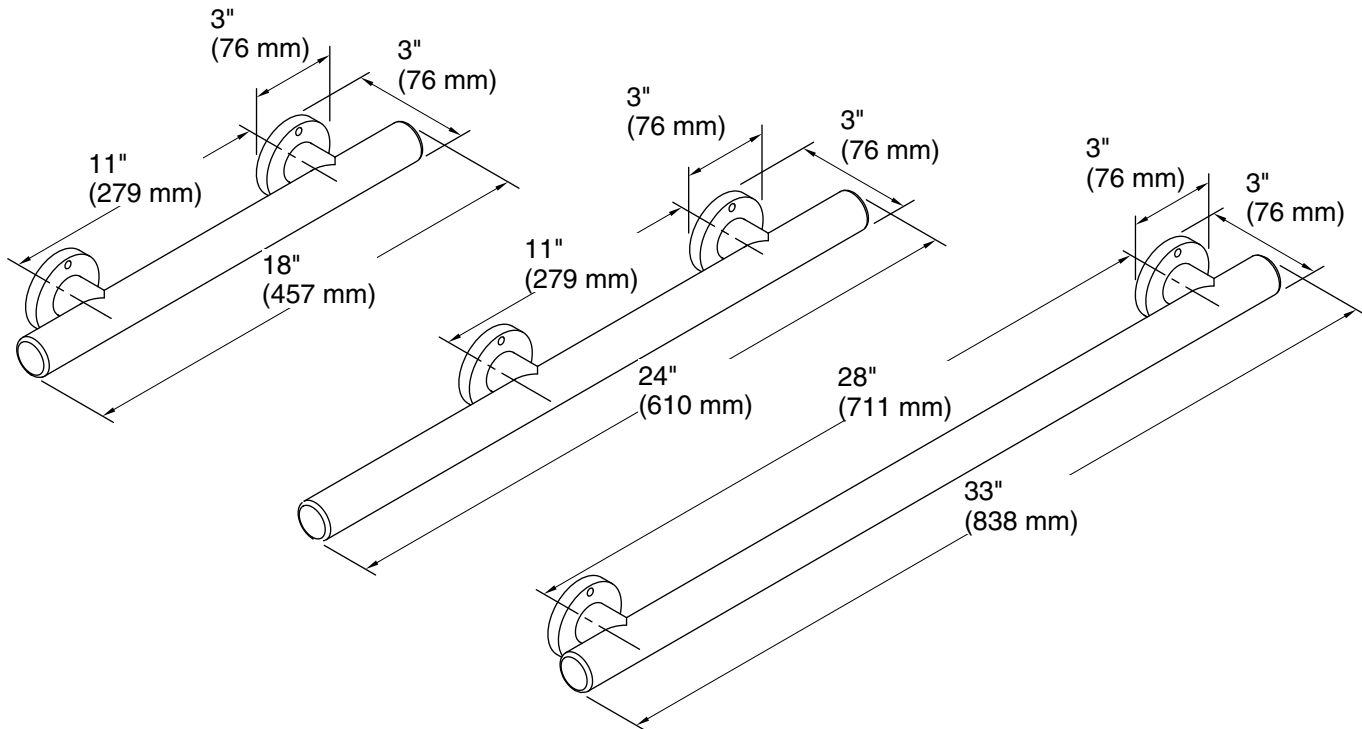
ADA

#### Codes/Standards

ADA  
ICC/ANSI A117.1

#### STERLING® Grab Bars Ten-Year Limited Warranty

See website for detailed warranty information.



**Technical Information**

All product dimensions are nominal.

Material: Stainless Steel

**Notes**

Grab bars must be properly installed to adequately support the weight of the user.

Obtain backer board locations from the specification sheet for your shower wall model.

Use a stud finder to verify backer board locations before installation.

ADA compliant when installed to the specific requirements of these regulations.