



Accord® Tile

60" x 30" Vikrell® bath/shower with seat, grab bars, right drain
71140125



Features

- 17-1/4 (438 mm) apron
- Pivot snap-together modular design
- Tile look
- Corner shelves
- Stainless steel grab bars
- Bath seat on left

Material

- Made from solid Vikrell® material for strength, durability, and lasting beauty

Installation

- Alcove
- Right drain
- Caulk-free installation

Recommended Products/Accessories

- K-23726 Drain treatment
- K-23723 Faucet cleaner
- K-23733 Vikrell® cleaner

Included Components

- 71144123 60" x 30" Vikrell® wall set with grab bars
- 71141124 60" x 30" Vikrell® bath with seat, right above-floor drain



ADA

Codes/Standards

- CSA B45.5/IAPMO Z124
- ASTM E162
- ASTM E662
- ADA
- ICC/ANSI A117.1
- HUD, UM Bulletin 73
- IAPMO Certification

STERLING® Vikrell® or Acrylic Baths and Shower Bases Ten-Year Limited Warranty
STERLING® Grab Bars Ten-Year Limited Warranty

See website for detailed warranty information.

Available Colors/Finishes

Color tiles intended for reference only.

Color Code Description

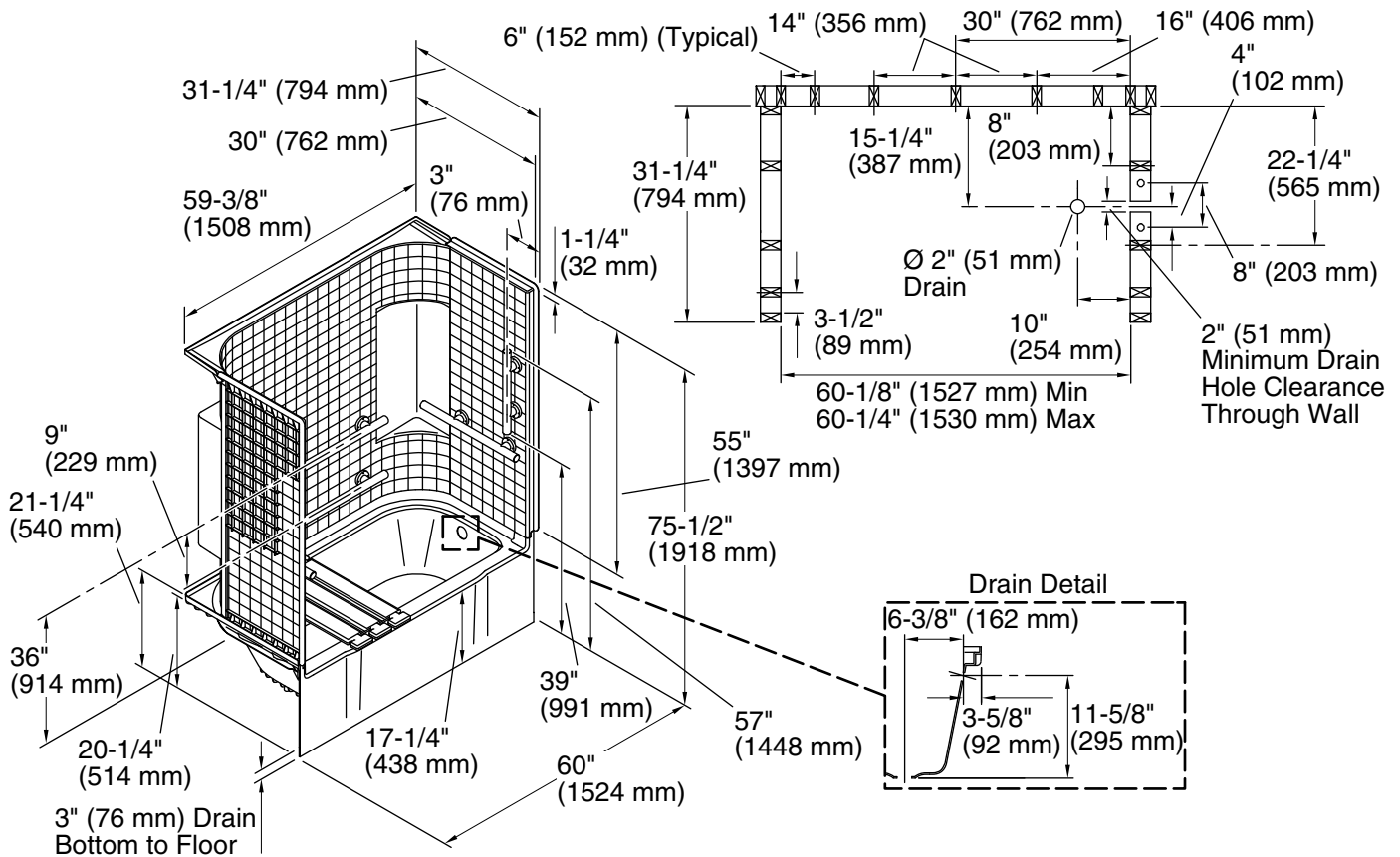
Color	Code	Description
	0	White

1-800-STERLING (1-800-783-7546)

Kohler Co. reserves the right to make revisions without notice to product specifications.

For the most current Specification Sheet, go to www.sterlingplumbing.com.

3-24-2024 21:39 - US



Technical Information

All product dimensions are nominal.

Drain location:	Right
Basin area, bottom:	46-1/4" x 20-1/2" (1175 mm x 521 mm)
Basin area, top:	52-1/4" x 22-1/2" (1327 mm x 572 mm)
Water depth:	11" (279 mm)
Water capacity:	34 gal (128.7 L)
Maximum door height:	56-3/4" (1441 mm)
Maximum door width:	56-1/2" (1435 mm)

Notes

Install this product according to the installation instructions.

Product is designed to be used with a single-hole mixer valve with an escutcheon cover not to exceed 7-3/4" (197 mm) in width.

Studs should be positioned roughly as shown. Bath cannot be installed without the wall surround.

Width of back wall at the top transitions from 60" (1524 mm) at the front to 59-3/8" (1508 mm) in the back corners. Furring strips approximately 1/4" (6 mm) thick should be used at the back corner studs if drywall is to be installed over the nailing flange.

ADA compliant when installed to the specific requirements of these regulations.