



**Accord®**

60" x 30" ADA tile seated bath/shower with grab bars

**71140115**



**Features**

- 17-1/4 apron.
- Pivot snap-together modular design.
- Tile look.
- Corner shelves.
- Factory-installed stainless steel grab bars.
- Bath seat on right.

**Material**

- Made from solid Vikrell® material for strength, durability, and lasting beauty.

**Installation**

- Alcove.
- Left drain.
- Caulk-free installation.

**Recommended Products/Accessories**

- K-23726 Drain treatment
- K-23723 Faucet cleaner
- K-23733 Vikrell® cleaner

**Included Components**

- Product consists of:
- 71144113 60" x 30" ADA Tile Wall Set with Grab Bars
  - 71141114 60" ADA seated bath



**ADA**

**Codes/Standards**

- CSA B45.5/IAPMO Z124
- ASTM E162
- ASTM E662
- ADA
- ICC/ANSI A117.1
- HUD, UM Bulletin 73



**Warranty – Bathing Fixtures (and) Kitchen and Utility Sinks Made of Solid Vikrell® Material**

**STERLING® Warranty - Grab Bars**  
**STERLING® Warranty - Bathing & Showering Seats**

See website for detailed warranty information.

**Available Colors/Finishes**

*Color tiles intended for reference only.*

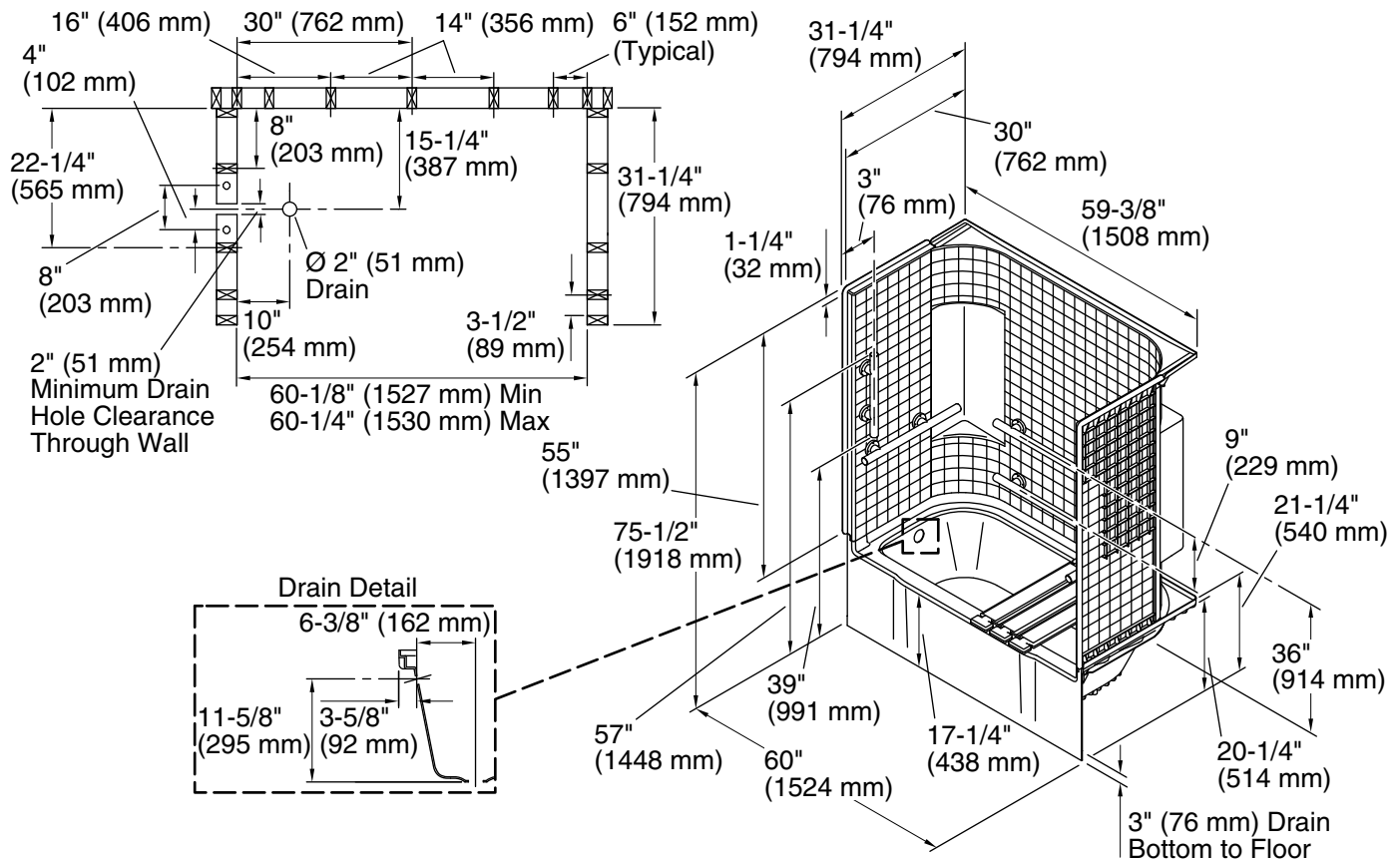
Color	Code	Description
	0	White
	96	KOHLER Biscuit

1-800-STERLING (1-800-783-7546)

Kohler Co. reserves the right to make revisions without notice to product specifications.

For the most current Specification Sheet, go to [www.sterlingplumbing.com](http://www.sterlingplumbing.com).

5-6-2020 10:16 - US



**Technical Information**

All product dimensions are nominal.

- Installation: Three-wall alcove
- Drain location: Left
- Basin area, bottom: 46-1/4" x 20-1/2" (1175 mm x 521 mm)
- Basin area, top: 52-1/4" x 22-1/2" (1327 mm x 572 mm)
- Water depth: 11" (279 mm)
- Water capacity: 34 gal (128.7 L)
- Maximum door height: 56-3/4" (1441 mm)
- Maximum door width: 56-1/2" (1435 mm)

**Notes**

- Install this product according to the installation instructions.
- Product is designed to be used with a single-hole mixer valve with an escutcheon cover not to exceed 7-3/4" (197 mm) in width.
- Studs should be positioned roughly as shown.
- Double studding is recommended for pivot shower door installations.
- Bath cannot be installed without the wall surround.
- Width of back wall at the top transitions from 60" (1524 mm) at the front to 59-3/8" (1508 mm) in the back corners. Furring strips approximately 1/4" (6 mm) thick should be used at the back corner studs if drywall is to be installed over the nailing flange.
- ADA compliant when installed to the specific requirements of these regulations.