



## Ensemble™

60" x 32" bath w/ access panel  
71121127



### Features

- Integral apron with removable access panel.
- Suitable for tile-down applications.
- Durable high-gloss finish.
- 2" (51 mm) wainscot/tile ledge.
- 18" (457 mm) bath depth (floor to top of threshold).

### Material

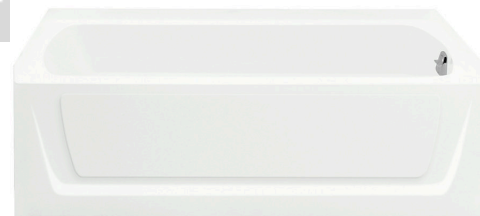
- Compression molded from our exclusive solid Vikrell® material.

### Installation

- Alcove.
- Right drain.

### Recommended Products/Accessories

71124100 60" x 33-1/4" tile bath/shower wall set  
71224100 60" x 32" Curve bath/shower wall set  
K-23726 Drain treatment  
K-23733 Vikrell® cleaner



### Codes/Standards

CSA B45.5/IAPMO Z124  
ASTM E162  
ASTM E662  
HUD, UM Bulletin 73

### Warranty – Bathing Fixtures (and) Kitchen and Utility Sinks Made of Solid Vikrell® Material

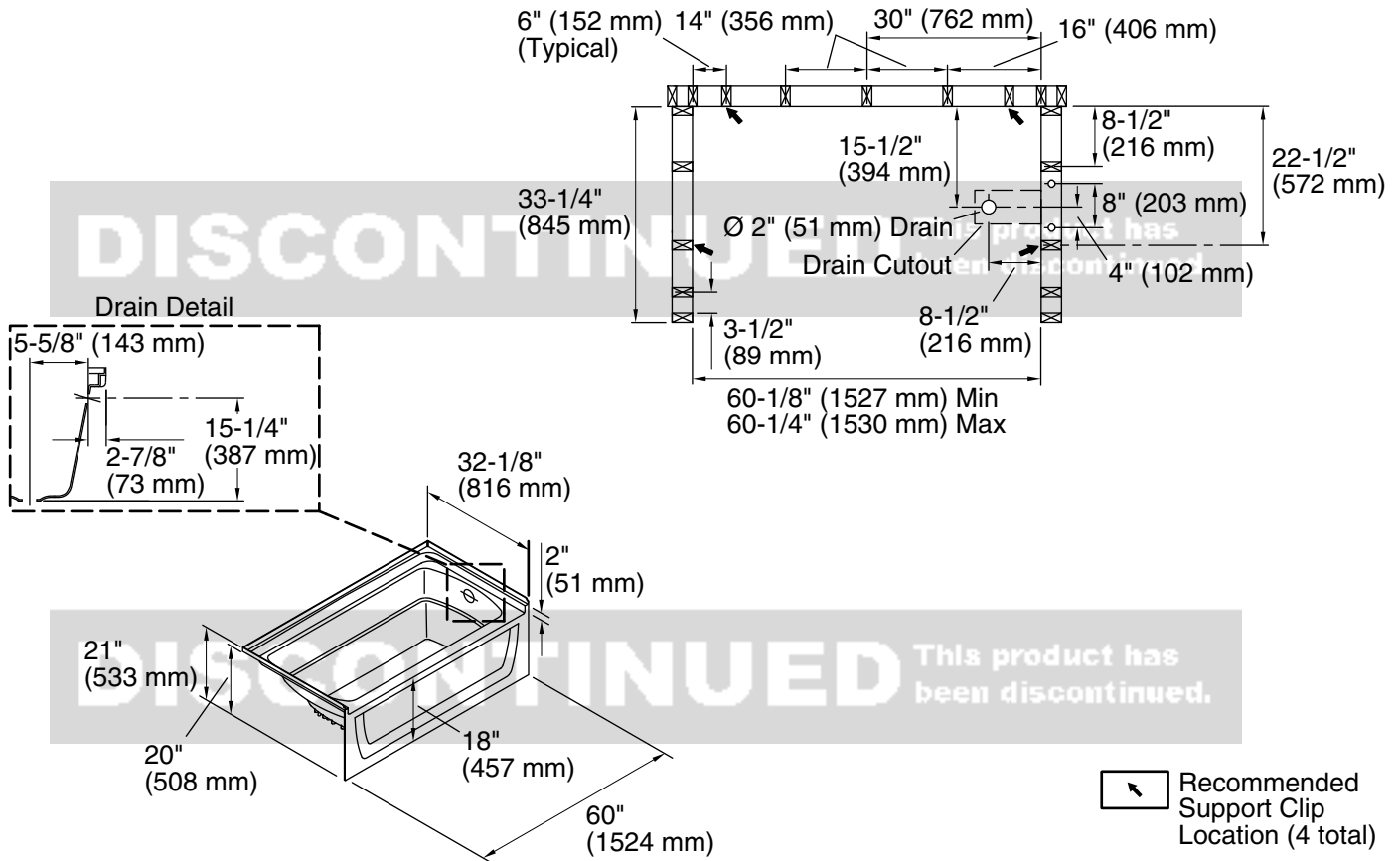
See website for detailed warranty information.

**DISCONTINUED** This product has been discontinued.

1-800-STERLING (1-800-783-7546)

Kohler Co. reserves the right to make revisions without notice to product specifications.

For the most current Specification Sheet, go to [www.sterlingplumbing.com](http://www.sterlingplumbing.com).



**Technical Information**

All product dimensions are nominal.

Installation:	Three-wall alcove
Drain location:	Right
Basin area, bottom:	42" x 20" (1067 mm x 508 mm)
Basin area, top:	54" x 26" (1372 mm x 660 mm)
Water depth:	13-3/4" (349 mm)
Water capacity:	55 gal (208.2 L)
Minimum flat for door:	3" (76 mm)
Maximum door width:	57-11/16" (1465 mm)

**Notes**

Install this product according to the installation instructions.  
 Studs should be positioned roughly as shown.  
 Double studding is recommended for pivot shower door installations.