



Features

- Integral apron with removable access panel.
- Durable high-gloss finish.
- 2" (51 mm) wainscot/tile ledge.
- 18" (457 mm) bath depth (floor to top of threshold).

Material

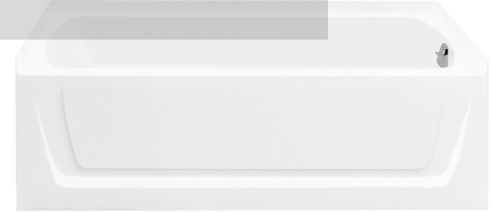
- Compression molded from our exclusive solid Vikrell® material.

DISCONTINUED

This product has been discontinued.

Installation

- Alcove.
- Right drain.
- Compatible with tile-down installation.



Recommended Products/Accessories

- 71124100 60" x 33-1/4" tile bath/shower wall set
- 71224100 60" curve bath/shower wall set
- K-23726 Drain treatment
- K-23733 Vikrell® cleaner

DISCONTINUED

Codes/Standards

- CSA B45.5/IAPMO Z124ed.
- ASTM E162
- ASTM E662
- HUD, UM Bulletin 73

Warranty – Bathing Fixtures (and Kitchen and Utility Sinks Made of Solid Vikrell® Material)

See website for detailed warranty information.

DISCONTINUED

This product has been discontinued.

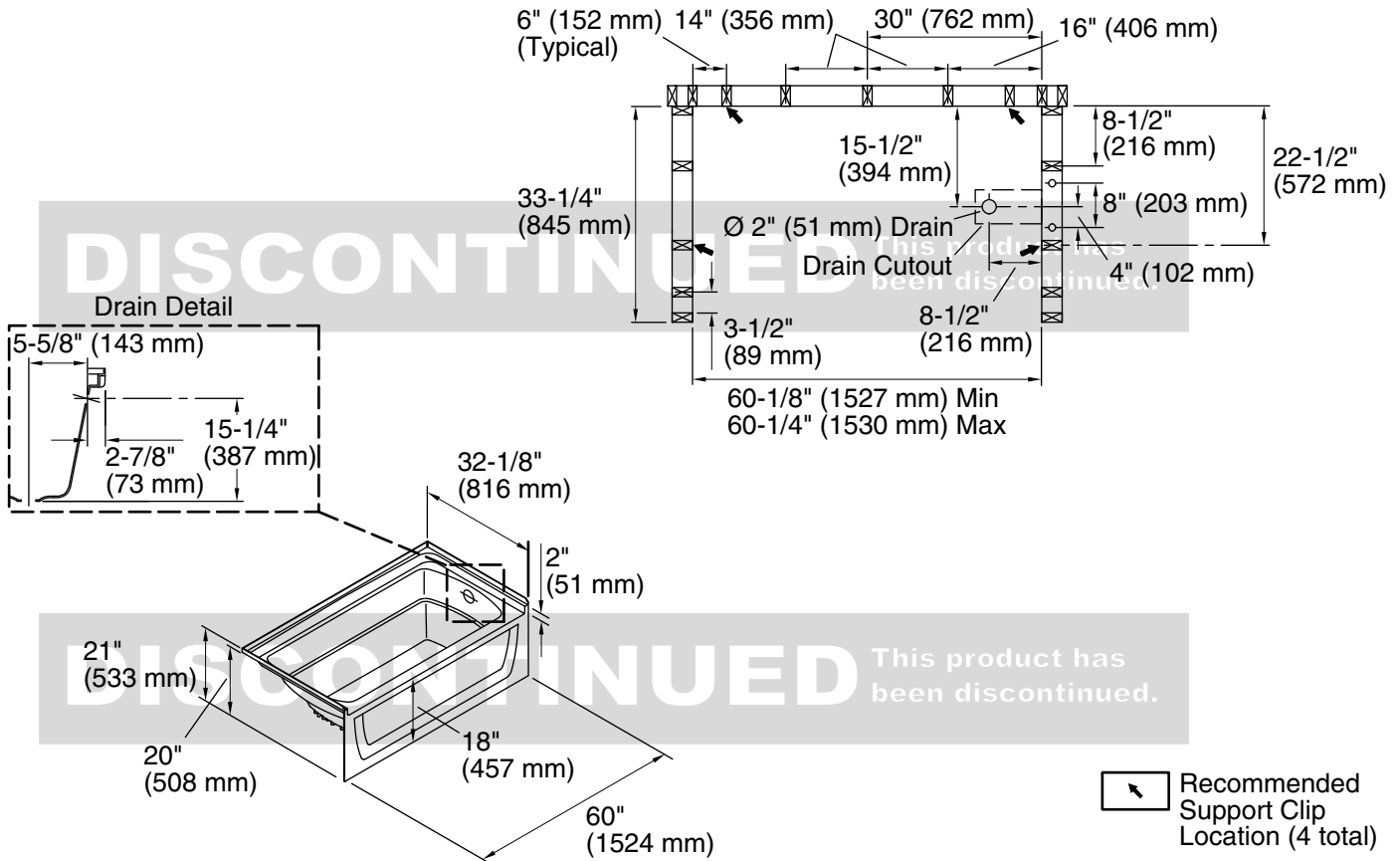
STERLING

A KOHLER COMPANY

Ensemble™

60" x 32" bath with access panel

71121127



Technical Information

All product dimensions are nominal.

Installation: Three-wall alcove

Drain location: Right

Basin area, bottom: 42" x 20" (1067 mm x 508 mm)

Basin area, top: 54" x 26" (1372 mm x 660 mm)

Water depth: 13-3/4" (349 mm)

Water capacity: 55 gal (208.2 L)

Minimum flat for door: 3" (76 mm)

Maximum door width: 57-11/16" (1465 mm)

Notes

Install this product according to the installation instructions.

Studs should be positioned roughly as shown.

Double studding is recommended for pivot shower door installations.

1-800-STERLING (1-800-783-7546)

Kohler Co. reserves the right to make revisions without notice to product specifications.

For the most current Specification Sheet, go to www.sterlingplumbing.com.

5-6-2020 10:15 - US