



**Features**

- Extra deep bathing well for added comfort.
- Designed with an 18" apron.
- Durable high-gloss finish provides a smooth, shiny surface that is easy to clean.
- Gently sloping bath with integral apron.
- 2" wainscot allows tile installation above bath deck.

**Material**

- Made from solid Vikrell® material for strength, durability, and lasting beauty.

**Recommended Products/Accessories**

- K-23726 Drain treatment
- K-23733 Vikrell® cleaner



**ADA**

**Codes/Standards**



- CSA B45.5/IAPMO Z124
- ASTM E162
- ASTM E662
- ADA
- ICC/ANSI A117.1
- HUD, UM Bulletin 73

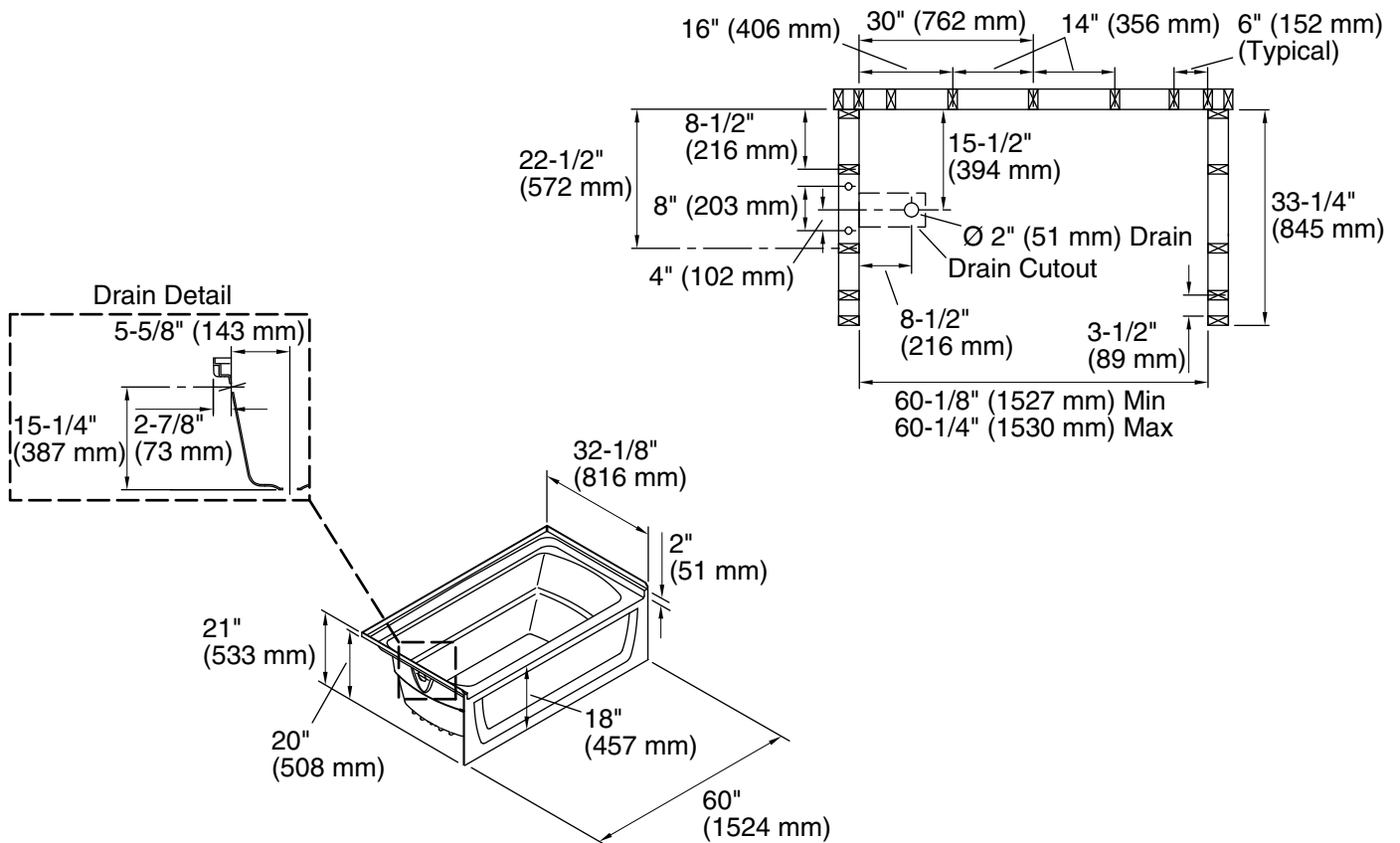
**Warranty – Bathing Fixtures (and) Kitchen and Utility Sinks Made of Solid Vikrell® Material**

See website for detailed warranty information.

**Available Colors/Finishes**

*Color tiles intended for reference only.*

Color	Code	Description
	0	White
	96	KOHLER Biscuit



**Technical Information**

All product dimensions are nominal.

- Installation: Three-wall alcove
- Drain location: Left
- Basin area, bottom: 42" x 20" (1067 mm x 508 mm)
- Basin area, top: 54" x 26" (1372 mm x 660 mm)
- Water depth: 13-3/4" (349 mm)
- Water capacity: 55 gal (208.2 L)
- Minimum flat for door: 3" (76 mm)
- Maximum door width: 57-11/16" (1465 mm)

**Notes**

- Install this product according to the installation instructions.
- Studs should be positioned roughly as shown.
- Double studding is recommended for pivot shower door installations.
- ADA compliant when installed to the specific requirements of these regulations.