



**Features**

- 20" apron.
- Tongue-and-groove walls with snap-together installation.
- Tile look.
- Corner shelves.
- Aging in Place backerboards.
- 3" drain-to-floor clearance for above-floor drain installation.

**Material**

- Made from solid Vikrell® material for strength, durability, and lasting beauty.

**Installation**

- Alcove.
- Right drain.
- Some caulk required for proper installation.

**Recommended Products/Accessories**

- K-23726 Drain treatment
- K-23733 Vikrell® cleaner

**Included Components**

- Product consists of:
- 71124106 60" tile shower wall set w/Aging in Place backerboards
  - 71121122 60" x 32" AFD bath



**Codes/Standards**



- CSA B45.5/IAPMO Z124
- ASTM E162
- ASTM E662
- HUD, UM Bulletin 73

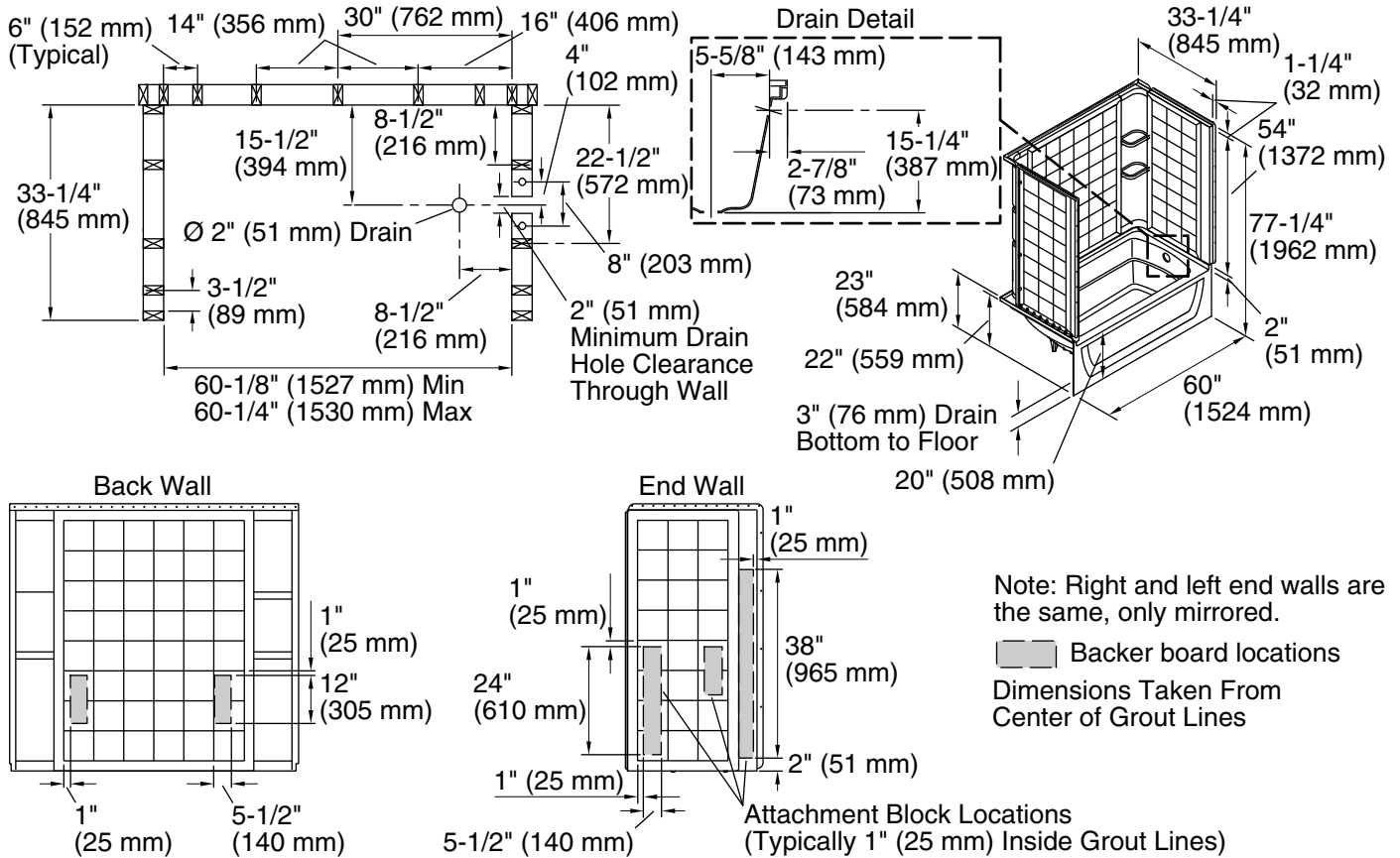
**Warranty – Bathing Fixtures (and Kitchen and Utility Sinks Made of Solid Vikrell® Material)**

See website for detailed warranty information.

**Available Colors/Finishes**

*Color tiles intended for reference only.*

Color	Code	Description
	0	White
	96	KOHLER Biscuit



**Technical Information**

All product dimensions are nominal.

Installation: Three-wall alcove

Drain location: Right

Basin area, bottom: 42" x 20" (1067 mm x 508 mm)

Basin area, top: 54" x 26" (1372 mm x 660 mm)

Water depth: 13" (330 mm)

Water capacity: 51 gal (193.1 L)

Minimum flat for door: 3" (76 mm)

Maximum door height: 55-1/2" (1410 mm)

Maximum door width: 57-11/16" (1465 mm)

**Notes**

Install this product according to the installation instructions.

Studs should be positioned roughly as shown.

Double studding is recommended for pivot shower door installations.

Attach grab bars at the specified backerboard locations only.