



Ensemble™ Tile

60" x 32" Vikrell® bath/shower with Aging in Place backerboards, left drain
71120116



Features

- 18" apron
- Tongue-and-groove walls with snap-together installation
- Tile look
- Corner shelves
- Aging in Place backerboards

Material

- Made from solid Vikrell® material for strength, durability, and lasting beauty

Installation

- Alcove
- Left drain
- Some caulk required for proper installation

Recommended Products/Accessories

- K-23726 Drain treatment
- K-23733 Vikrell® cleaner

Included Components

- 71124106 60" x 32" Vikrell® bath/shower wall set with Aging in Place backerboards
- 71121110 60" x 32" Vikrell® bath, left drain



Codes/Standards

- CSA B45.5/IAPMO Z124
- ASTM E162
- ASTM E662
- HUD, UM Bulletin 73
- IAPMO Certification

STERLING® Vikrell® or Acrylic Baths and Shower Bases Ten-Year Limited Warranty

See website for detailed warranty information.

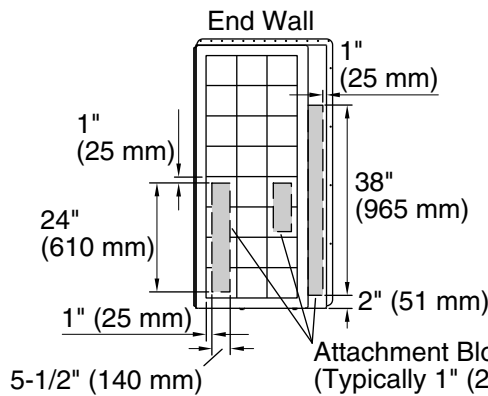
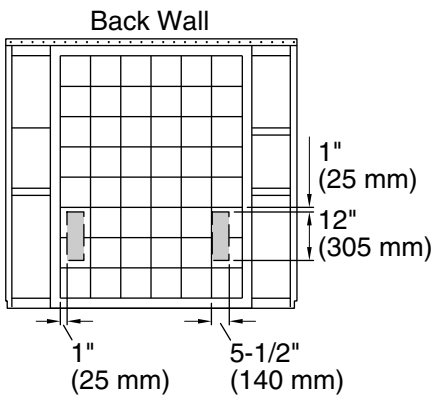
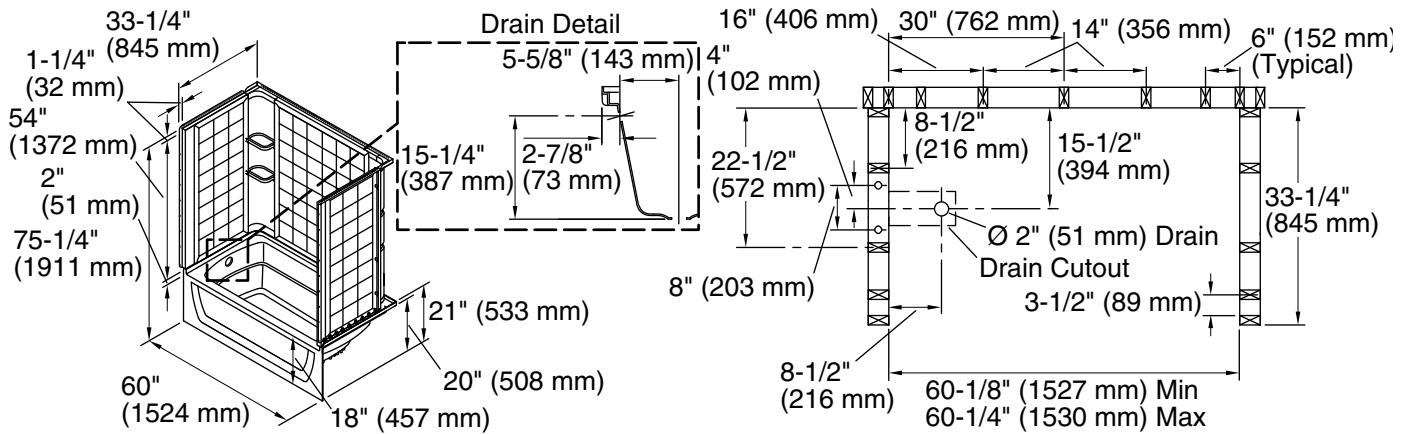
Available Colors/Finishes

Color tiles intended for reference only.


Color Code Description

	0	White
---	---	-------

Ensemble™ Tile
60" x 32" Vikrell® bath/shower with Aging in Place
backerboards, left drain
71120116



Note: Right and left end walls are the same, only mirrored.

 Backer board locations
Dimensions Taken From Center of Grout Lines

Technical Information

All product dimensions are nominal.

Drain location:	Left
Basin area, bottom:	42" x 20" (1067 mm x 508 mm)
Basin area, top:	54" x 26" (1372 mm x 660 mm)
Water depth:	13-3/4" (349 mm)
Water capacity:	55 gal (208.2 L)
Maximum door height:	55-1/2" (1410 mm)
Maximum door width:	57-11/16" (1465 mm)

Notes

Install this product according to the installation instructions.

Studs should be positioned as shown.

Double studding is recommended for pivot shower door installations.

Attach grab bars at the specified backerboard locations only.