



# Ensemble™ Tile

60" x 32" Vikrell® bath/shower, left above-floor drain  
71120112



### Features

- 20" apron
- Tongue-and-groove walls with snap-together installation
- Tile look
- Corner shelves
- 3" (76 mm) drain-to-floor clearance for above-floor drain installation

### Material

- Made from solid Vikrell® material for strength, durability, and lasting beauty

### Installation

- Alcove
- Left drain
- Some caulk required for proper installation

### Recommended Products/Accessories

- K-23726 Drain treatment
- K-23733 Vikrell® cleaner

### Included Components

- 71124100 60" x 32" Vikrell® bath/shower wall set
- 71121112 60" x 32" Vikrell® bath, left above-floor drain



### Codes/Standards

- CSA B45.5/IAPMO Z124
- ASTM E162
- ASTM E662
- HUD, UM Bulletin 73
- IAPMO Certification


### STERLING® Vikrell® or Acrylic Baths and Shower Bases Ten-Year Limited Warranty

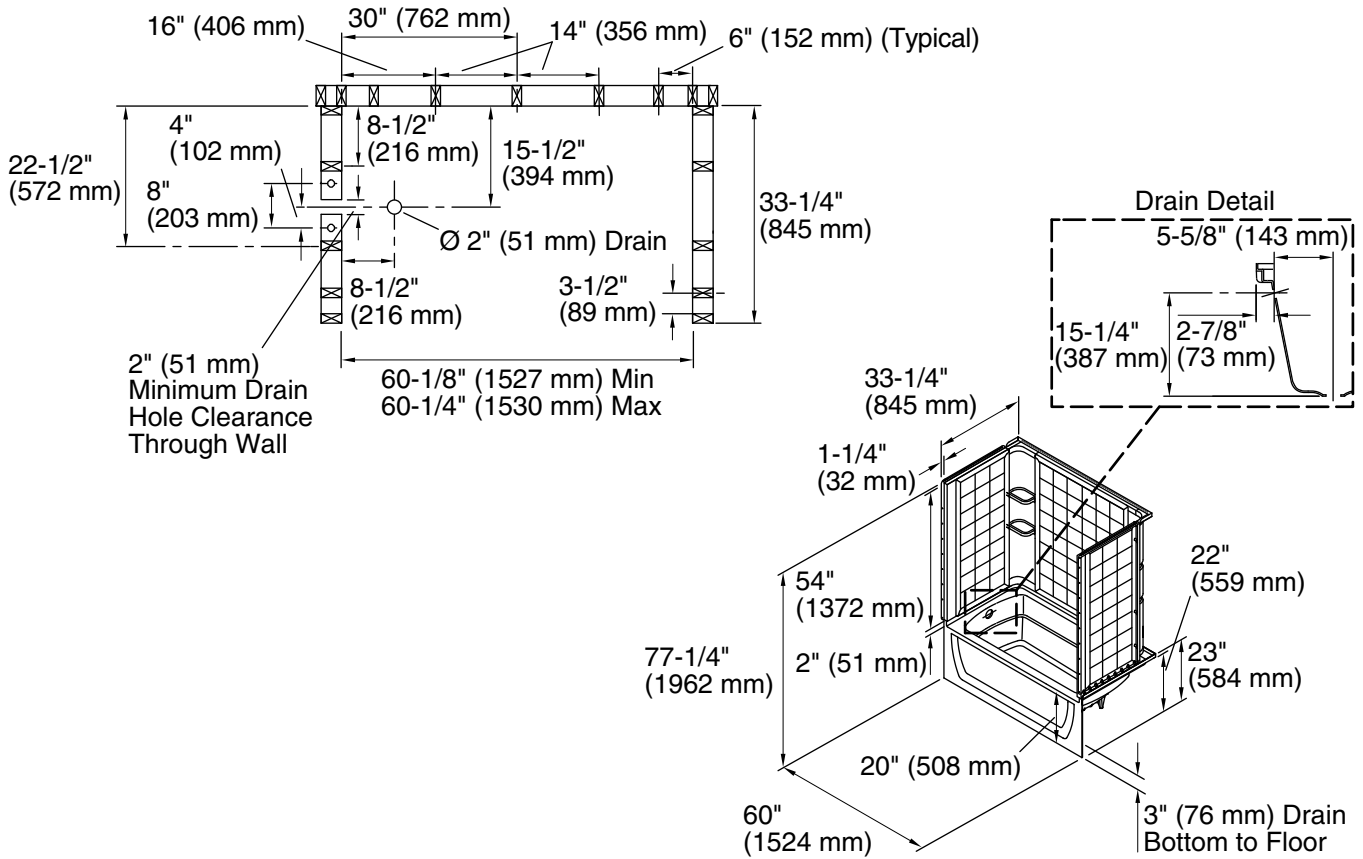
See website for detailed warranty information.

### Available Colors/Finishes

*Color tiles intended for reference only.*

#### Color Code Description

	0	White
---	---	-------



**Technical Information**

All product dimensions are nominal.

Drain location:	Left
Basin area, bottom:	42" x 20" (1067 mm x 508 mm)
Basin area, top:	54" x 26" (1372 mm x 660 mm)
Water depth:	13" (330 mm)
Water capacity:	51 gal (193.1 L)
Maximum door height:	55-1/2" (1410 mm)
Maximum door width:	57-11/16" (1465 mm)

**Notes**

Install this product according to the installation instructions.

Studs should be positioned roughly as shown.

Double studding is recommended for pivot shower door installations.