



# Ensemble™

60" bath with access panel  
71111127



## Features

- 16 apron.
- Compatible with tile-down installation.
- Compatible with Ensemble wall set (71114100)
- Built-in armrests and contoured back.
- Removable access panel.

## Material

- Made from solid Vikrell® material for strength, durability, and lasting beauty.

## Installation

- Alcove.
- Right drain.

## Recommended Products/Accessories

- K-23726 Drain treatment
- K-23733 Vikrell® cleaner



ADA

## Codes/Standards

CSA B45.5/IAPMO Z124  
ASTM E162  
ASTM E662  
ADA  
ICC/ANSI A117.1


## Warranty – Bathing Fixtures (and) Kitchen and Utility Sinks Made of Solid Vikrell® Material

See website for detailed warranty information.

## Available Colors/Finishes

*Color tiles intended for reference only.*

Color	Code	Description
-------	------	-------------

	0	White
--	---	-------

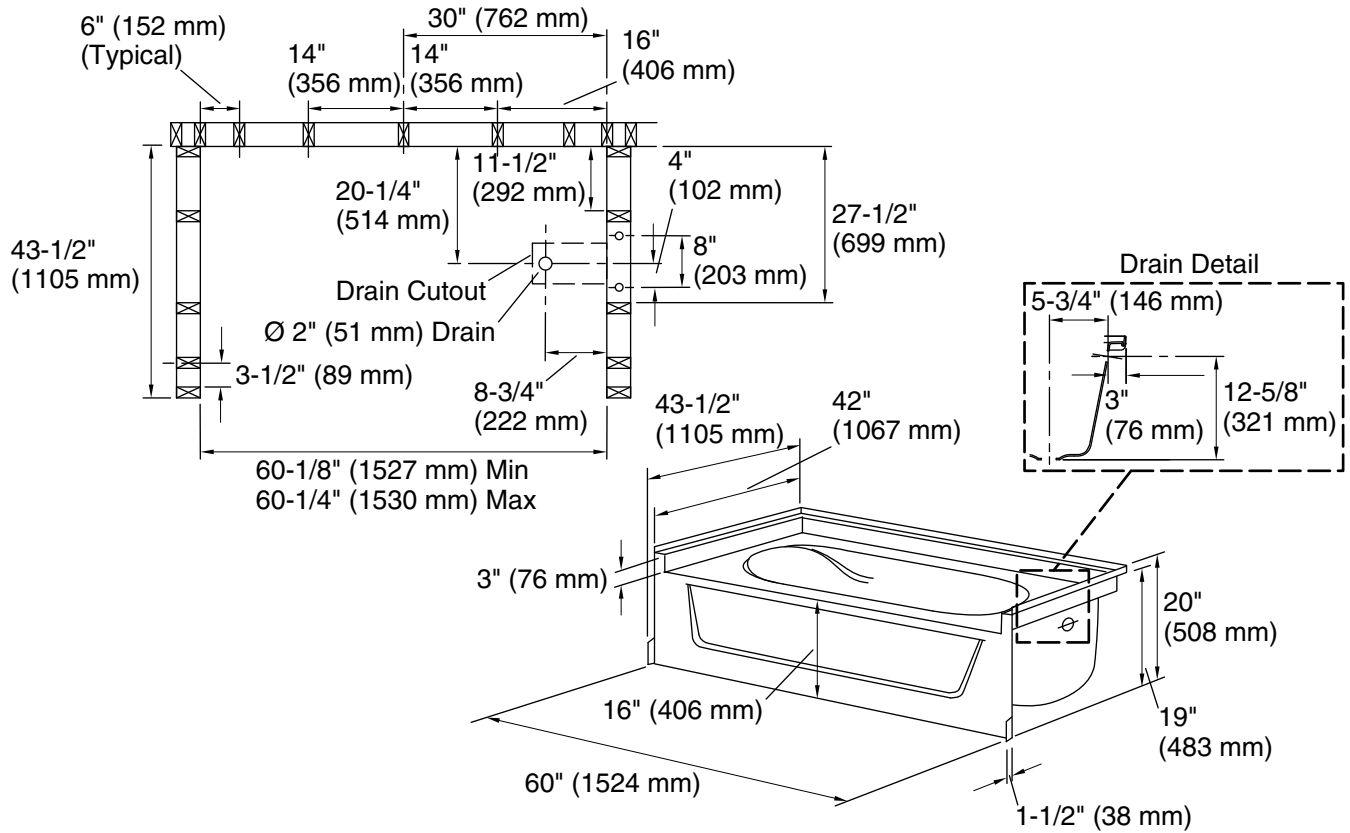
---

1-800-STERLING (1-800-783-7546)

Kohler Co. reserves the right to make revisions without notice to product specifications.

For the most current Specification Sheet, go to [www.sterlingplumbing.com](http://www.sterlingplumbing.com).

5-6-2020 10:13 - US



### Technical Information

All product dimensions are nominal.

Installation:	Three-wall alcove
Drain location:	Right
Basin area, bottom:	40" x 27" (1016 mm x 686 mm)
Basin area, top:	52" x 35" (1321 mm x 889 mm)
Water depth:	11" (279 mm)
Water capacity:	55 gal (208.2 L)
Minimum flat for door:	3-1/4" (83 mm)
Maximum door width:	58-1/2" (1486 mm)

### Notes

Install this product according to the installation instructions.

Studs should be positioned roughly as shown. Double studding is recommended for pivot shower door installations.

ADA compliant when installed to the specific requirements of these regulations.