



# Ensemble™

60-1/4" x 42" bath w/ access panel  
71111117



### Features

- 16" apron
- Suitable for tile-down applications
- Compatible with Ensemble wall set (71114100)
- Built-in armrests and contoured back
- Removable access panel

### Material

- Made from solid Vikrell® material for strength, durability, and lasting beauty

### Installation

- Alcove
- Left drain

### Recommended Products/Accessories

- K-23726 Drain treatment
- K-23733 Vikrell® cleaner



**DISCONTINUED** This product has been discontinued.

**ADA**

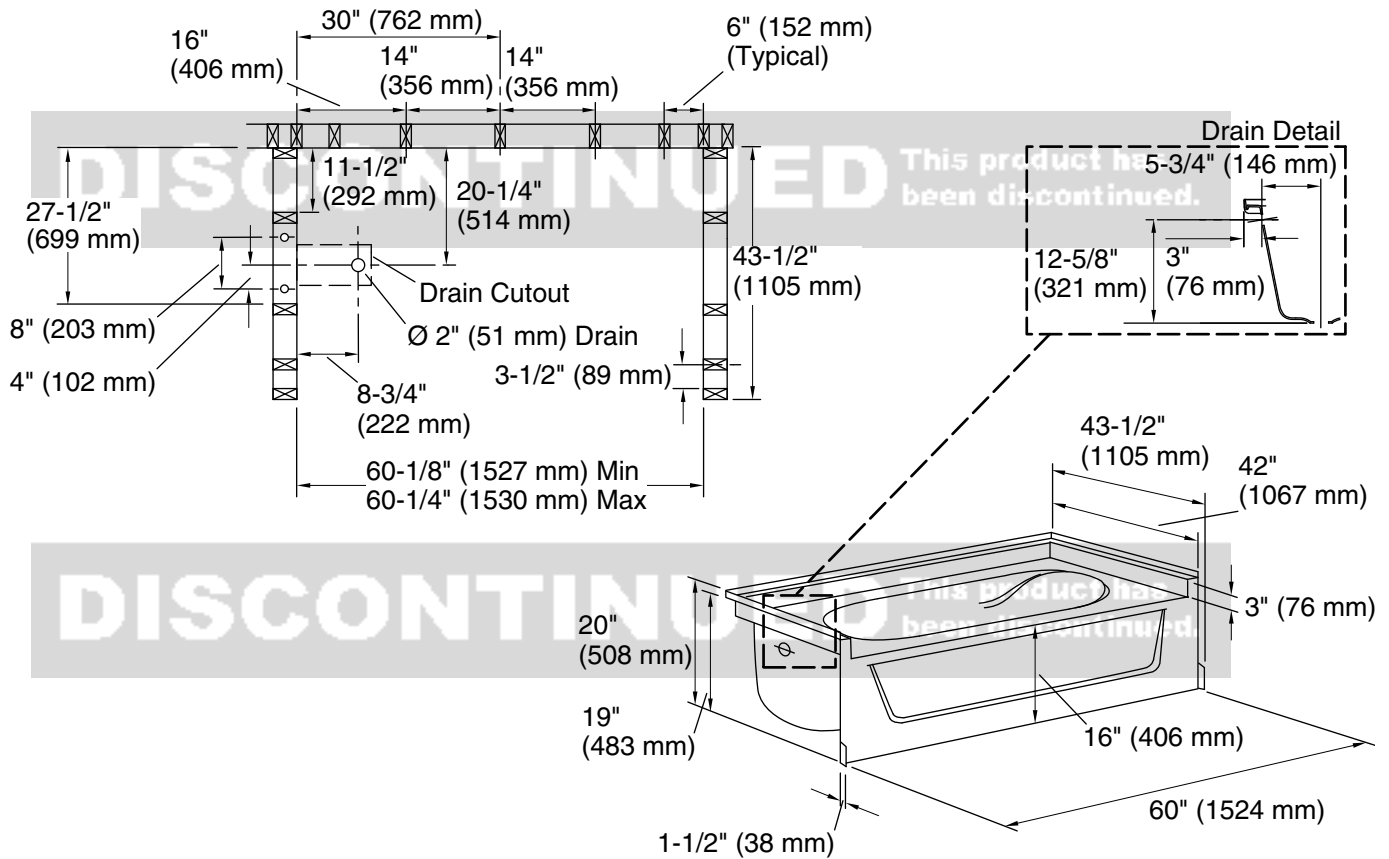
### Codes/Standards

- CSA B45.5/IAPMO Z124
- ASTM E162
- ASTM E662
- ADA
- ICC/ANSI A117.1
- IAPMO Certification

### STERLING® Vikrell® or Acrylic Baths and Shower Bases Ten-Year Limited Warranty

**DISCONTINUED** This product has been discontinued.

See website for detailed warranty information.



**Technical Information**

All product dimensions are nominal.

Drain location:	Left
Basin area, bottom:	40" x 27" (1016 mm x 686 mm)
Basin area, top:	52" x 35" (1321 mm x 889 mm)
Water depth:	11" (279 mm)
Water capacity:	55 gal (208.2 L)
Minimum flat for door:	3-1/4" (83 mm)
Maximum door width:	58-1/2" (1486 mm)

**Notes**

Install this product according to the installation instructions.

Studs should be positioned roughly as shown. Double studding is recommended for pivot shower door installations.

ADA compliant when installed to the specific requirements of these regulations.