



## Ensemble™

60" AFD tile bath/shower with access panel  
71110129



### Features

- 18-1/4 apron.
- Tongue-and-groove walls with snap-together installation.
- Tile look.
- Corner shelves; built-in armrests and contoured back.
- 3" drain-to-floor clearance for above-floor drain installation.
- Removable access panel.

### Material

- Made from solid Vikrell® material for strength, durability, and lasting beauty.

### Installation

- Alcove.
- Right drain.
- Some caulk required for proper installation.

### Recommended Products/Accessories

K-23726 Drain treatment

K-23733 Vikrell® cleaner

### Included Components

Product consists of:

71114100 60" x 43-1/2" tile bath/shower wall set

71111129 60" x 42" bath with access panel

### Codes/Standards

CSA B45.5/IAPMO Z124

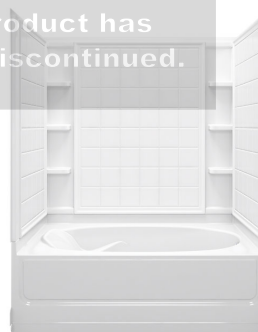
ASTM E162

ASTM E662

HUD, UM Bulletin 73

### Warranty – Bathing Fixtures (and Kitchen and Utility Sinks Made of Solid Vikrell® Material)

See website for detailed warranty information.



**DISCONTINUED** This product has been discontinued.

1-800-STERLING (1-800-783-7546)

Kohler Co. reserves the right to make revisions without notice to product specifications.

For the most current Specification Sheet, go to [www.sterlingplumbing.com](http://www.sterlingplumbing.com).

5-6-2020 10:12 - US

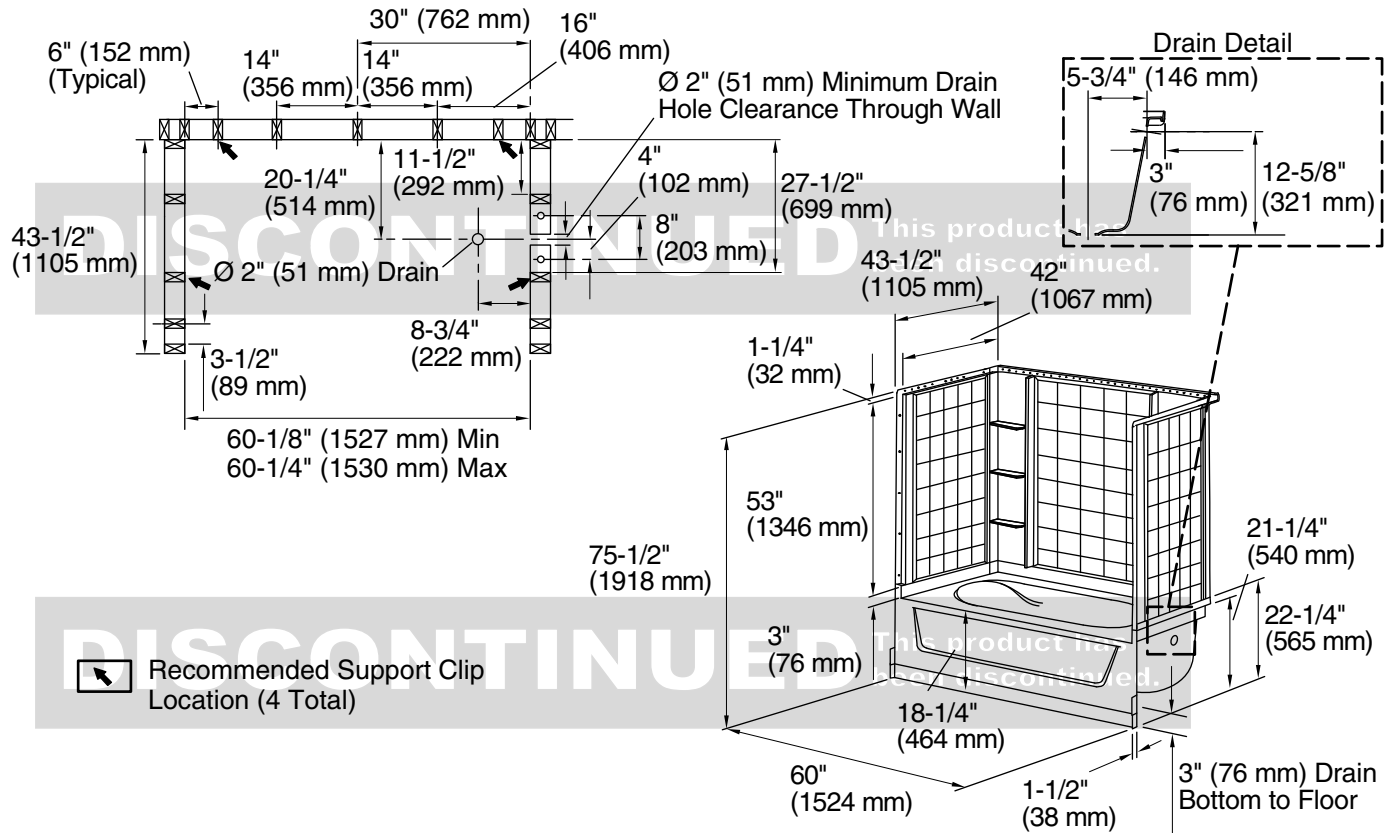
# STERLING

A KOHLER COMPANY

## Ensemble™

### 60" AFD tile bath/shower with access panel

### 71110129



#### Technical Information

All product dimensions are nominal.

Installation: Three-wall alcove

Drain location: Right

Basin area, bottom: 40" x 27" (1016 mm x 686 mm)

Basin area, top: 52" x 35" (1321 mm x 889 mm)

Water depth: 11" (279 mm)

Water capacity: 55 gal (208.2 L)

Minimum flat for door: 3-1/4" (83 mm)

Maximum door height: 56" (1422 mm)

Maximum door width: 58-1/2" (1486 mm)

#### Notes

Install this product according to the installation instructions.

Studs should be positioned roughly as shown.

Double studding is recommended for pivot shower door installations.

1-800-STERLING (1-800-783-7546)

Kohler Co. reserves the right to make revisions without notice to product specifications.

For the most current Specification Sheet, go to [www.sterlingplumbing.com](http://www.sterlingplumbing.com).

5-6-2020 10:12 - US