



Ensemble™

60" x 42" AFD tile bath/shower
71110112



Features

- 18-1/4 apron.
- Tongue-and-groove walls with snap-together installation.
- Tile look.
- Corner shelves; built-in armrests and contoured back.
- 3" drain-to-floor clearance for above-floor drain installation.

Material

- Made from solid Vikrell® material for strength, durability, and lasting beauty.

Installation

- Alcove.
- Left drain.
- Some caulk required for proper installation.

Recommended Products/Accessories

K-23726 Drain treatment

K-23733 Vikrell® cleaner

Included Components

Product consists of:

71114100 60" x 43-1/2" tile bath/shower wall set

71111112 60" x 42" AFD bath



Codes/Standards

CSA B45.5/IAPMO Z124

ASTM E162

ASTM E662


HUD, UM Bulletin 73

Warranty – Bathing Fixtures (and) Kitchen and Utility Sinks Made of Solid Vikrell® Material

See website for detailed warranty information.

Available Colors/Finishes

Color tiles intended for reference only.

Color	Code	Description
	0	White
	96	KOHLER Biscuit

1-800-STERLING (1-800-783-7546)

Kohler Co. reserves the right to make revisions without notice to product specifications.

For the most current Specification Sheet, go to www.sterlingplumbing.com.

5-6-2020 10:11 - US

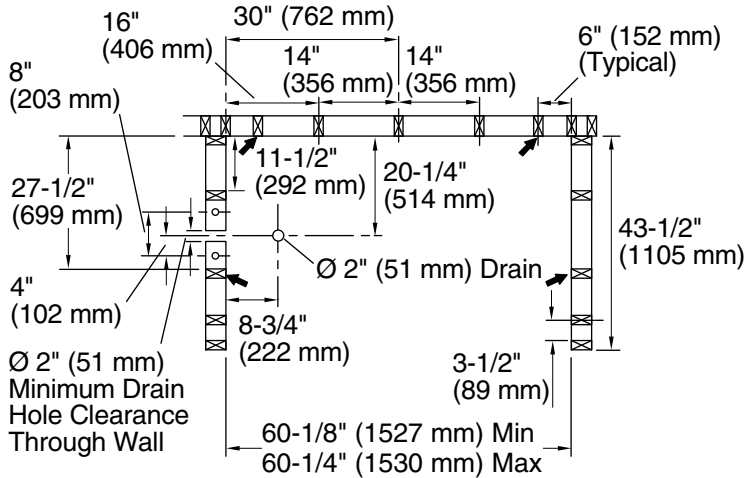
STERLING


A KOHLER COMPANY

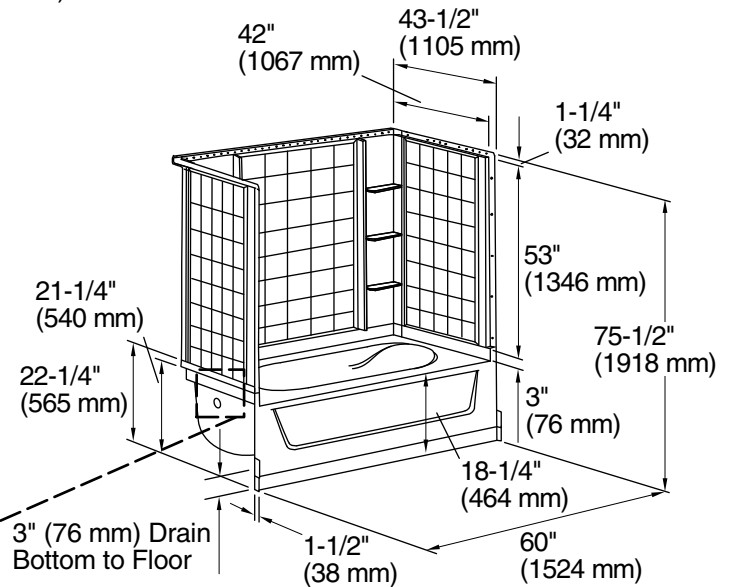
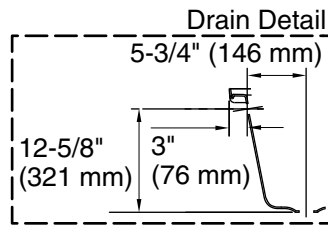
Ensemble™

60" x 42" AFD tile bath/shower

71110112



 Recommended Support Clip Location (4 Total)



Technical Information

All product dimensions are nominal.

- Installation: Three-wall alcove
Drain location: Left
Basin area, bottom: 40" x 27" (1016 mm x 686 mm)
Basin area, top: 52" x 35" (1321 mm x 889 mm)
Water depth: 11" (279 mm)
Water capacity: 55 gal (208.2 L)
Minimum flat for door: 3-1/4" (83 mm)
Maximum door height: 55-3/4" (1416 mm)
Maximum door width: 58-1/2" (1486 mm)

Notes

- Install this product according to the installation instructions.
Studs should be positioned roughly as shown.
Double studding is recommended for pivot shower door installations.

1-800-STERLING (1-800-783-7546)

Kohler Co. reserves the right to make revisions without notice to product specifications.

For the most current Specification Sheet, go to www.sterlingplumbing.com.

5-6-2020 10:11 - US