



## Ensemble™

60" tile bath/shower with left-hand drain  
71110110



### Features

- 16 apron.
- Tongue-and-groove walls with snap-together installation.
- Tile look.
- Corner shelves; built-in armrests and contoured back.

### Material

- Made from solid Vikrell® material for strength, durability, and lasting beauty.

### Installation

- Alcove.
- Left drain.
- Some caulk required for proper installation.

### Recommended Products/Accessories

K-23726 Drain treatment  
K-23733 Vikrell® cleaner

### Included Components

Product consists of:

71114100 60" x 43-1/2" tile bath/shower wall set  
71111110 60" bath



### Codes/Standards



CSA B45.5/IAPMO Z124  
ASTM E162  
ASTM E662  
HUD, UM Bulletin 73

### Warranty – Bathing Fixtures (and) Kitchen and Utility Sinks Made of Solid Vikrell® Material

See website for detailed warranty information.

### Available Colors/Finishes

*Color tiles intended for reference only.*

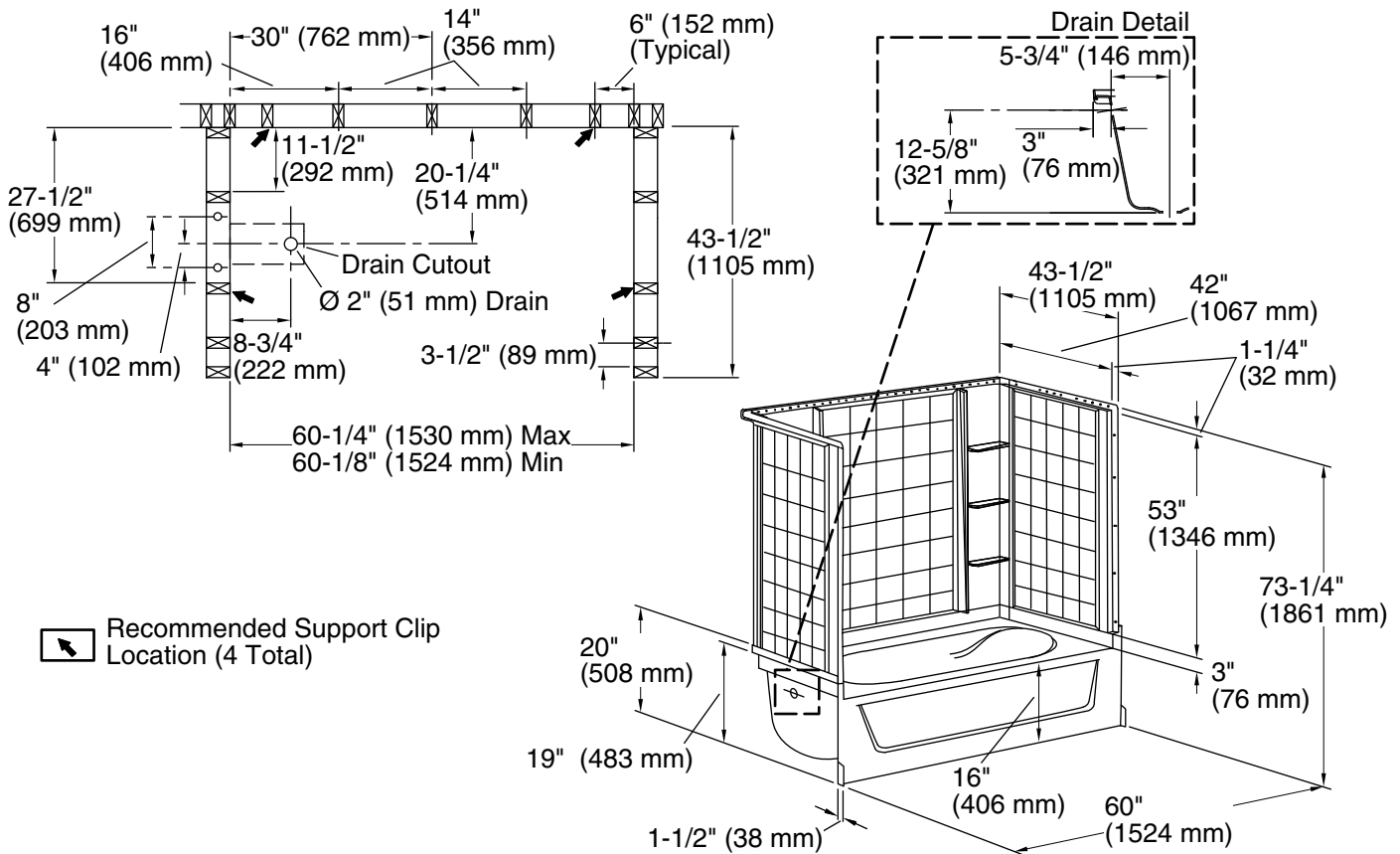
Color	Code	Description
	0	White
	96	KOHLER Biscuit

1-800-STERLING (1-800-783-7546)

Kohler Co. reserves the right to make revisions without notice to product specifications.

For the most current Specification Sheet, go to [www.sterlingplumbing.com](http://www.sterlingplumbing.com).

5-6-2020 10:11 - US



### Technical Information

All product dimensions are nominal.

Installation:	Three-wall alcove
Drain location:	Left
Basin area, bottom:	40" x 27" (1016 mm x 686 mm)
Basin area, top:	52" x 35" (1321 mm x 889 mm)
Water depth:	11" (279 mm)
Water capacity:	55 gal (208.2 L)
Minimum flat for door:	3-1/4" (83 mm)
Maximum door height:	55-3/4" (1416 mm)
Maximum door width:	58-1/2" (1486 mm)

### Notes

- Install this product according to the installation instructions.
- Studs should be positioned roughly as shown.
- Double studding is recommended for pivot shower door installations.