



## Ensemble™

60" AFD bath with access panel and right-hand drain

71101129



### Features

- 18-1/4 apron.
- Compatible with tile-down installation.
- Compatible with Ensemble wall set (71104100)
- Built-in armrests and contoured back.
- 3" drain-to-floor clearance for above-floor drain installation.
- Removable access panel.

### Material

- Made from solid Vikrell® material for strength, durability, and lasting beauty.

### Installation

- Alcove.
- Right drain.

### Recommended Products/Accessories

K-23726 Drain treatment

K-23733 Vikrell® cleaner



ADA

### Codes/Standards

CSA B45.5/IAPMO Z124

ASTM E162

ASTM E662

ADA

ICC/ANSI A117.1


### Warranty – Bathing Fixtures (and) Kitchen and Utility Sinks Made of Solid Vikrell® Material

See website for detailed warranty information.

### Available Colors/Finishes

*Color tiles intended for reference only.*

Color	Code	Description
-------	------	-------------

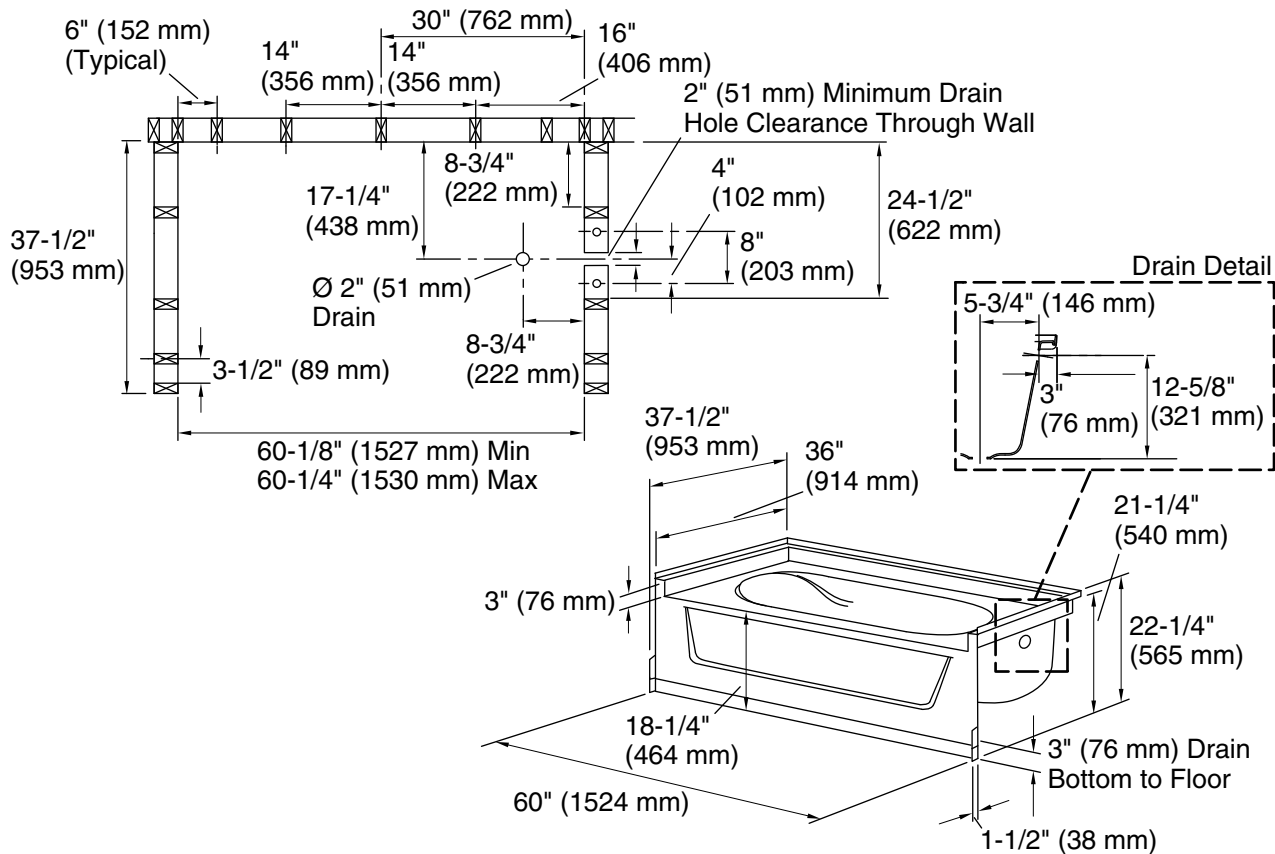
	0	White
--	---	-------

1-800-STERLING (1-800-783-7546)

Kohler Co. reserves the right to make revisions without notice to product specifications.

For the most current Specification Sheet, go to [www.sterlingplumbing.com](http://www.sterlingplumbing.com).

5-6-2020 10:11 - US



**Technical Information**

All product dimensions are nominal.

- Installation: Three-wall alcove
- Drain location: Right
- Basin area, bottom: 40" x 21" (1016 mm x 533 mm)
- Basin area, top: 52" x 29" (1321 mm x 737 mm)
- Water depth: 11" (279 mm)
- Water capacity: 40 gal (151.4 L)
- Minimum flat for door: 3-1/4" (83 mm)
- Maximum door width: 58-1/2" (1486 mm)

**Notes**

- Install this product according to the installation instructions.
- Studs should be positioned roughly as shown.
- Double studding is recommended for pivot shower door installations.
- ADA compliant when installed to the specific requirements of these regulations.