



Ensemble™

60" x 36" bath w/access panel and right-hand drain
71101127



Features

- 16" apron
- Removable access panel
- Suitable for tile-down applications
- Compatible with Ensemble wall set (71104100)

Material

- Made from solid Vikrell® material for strength, durability, and lasting beauty

Installation

- Alcove
- Right drain

Recommended Products/Accessories

- K-23726 Drain treatment
- K-23733 Vikrell® cleaner



DISCONTINUED This product has been discontinued.

ADA

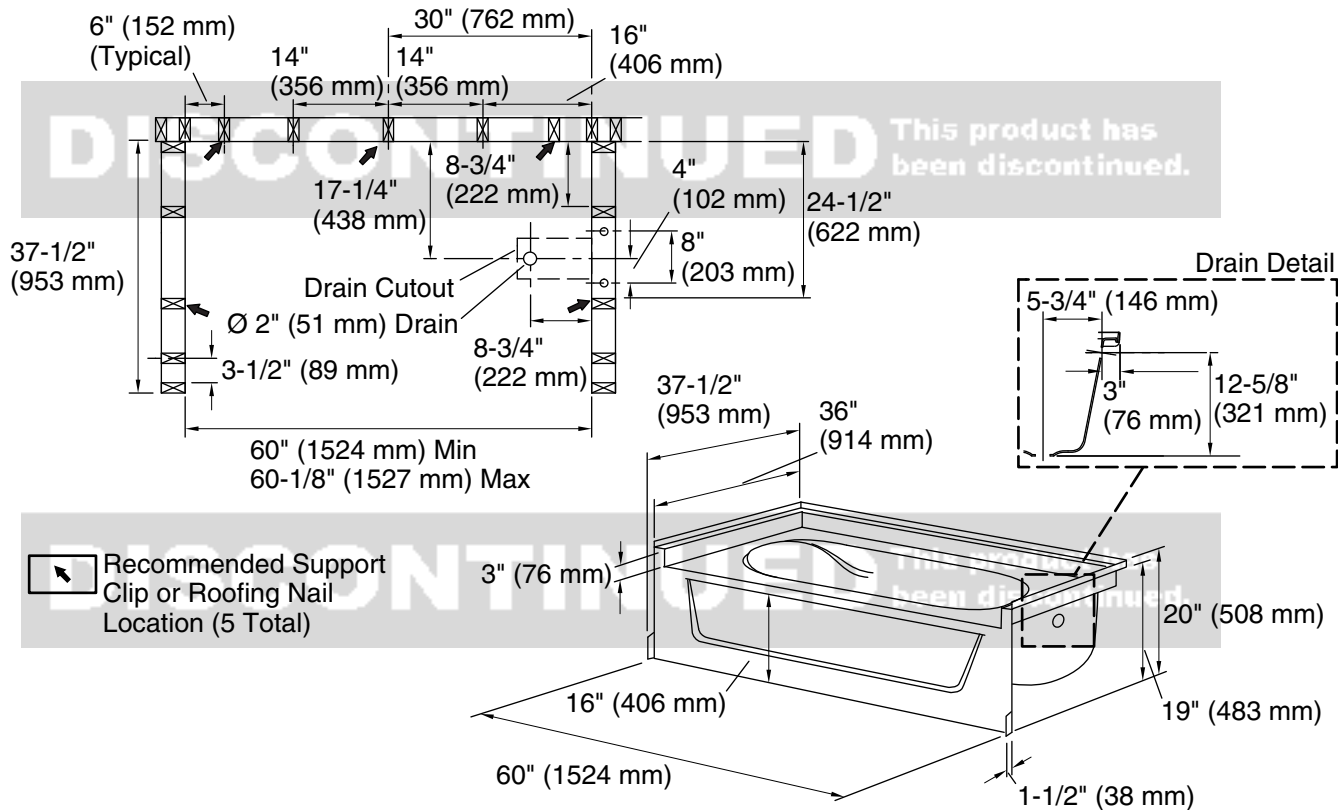
Codes/Standards

- CSA B45.5/IAPMO Z124
- ASTM E162
- ASTM E662
- ADA
- ICC/ANSI A117.1
- IAPMO Certification

STERLING® Vikrell® or Acrylic Baths and Shower Bases Ten-Year Limited Warranty

DISCONTINUED This product has been discontinued.

See website for detailed warranty information.



Technical Information

All product dimensions are nominal.

- Drain location: Right
- Basin area, bottom: 40" x 21" (1016 mm x 533 mm)
- Basin area, top: 52" x 29" (1321 mm x 737 mm)
- Water depth: 11" (279 mm)
- Water capacity: 40 gal (151.4 L)
- Minimum flat for door: 3-1/4" (83 mm)
- Maximum door width: 58-1/2" (1486 mm)

Notes

- Install this product according to the installation instructions.
- Studs should be positioned roughly as shown. Double studding is recommended for pivot shower door installations.
- ADA compliant when installed to the specific requirements of these regulations.