



Ensemble™

60" x 36" bath w/ access panel and left-hand drain

71101117



Features

- 16 apron.
- Removable access panel.
- Compatible with tile-down installation.
- Compatible with Ensemble wall set (71104100)

Material

- Made from solid Vikrell® material for strength, durability, and lasting beauty.

DISCONTINUED This product has been discontinued.

Installation

- Alcove.
- Left drain.



Recommended Products/Accessories

- K-23726 Drain treatment
- K-23733 Vikrell® cleaner

DISCONTINUED This product has been discontinued.

ADA

Codes/Standards

- CSA B45.5/IAPMO Z124
- ASTM E162
- ASTM E662
- ADA
- ICC/ANSI A117.1

Warranty – Bathing Fixtures (and) Kitchen and Utility Sinks Made of Solid Vikrell® Material

See website for detailed warranty information.

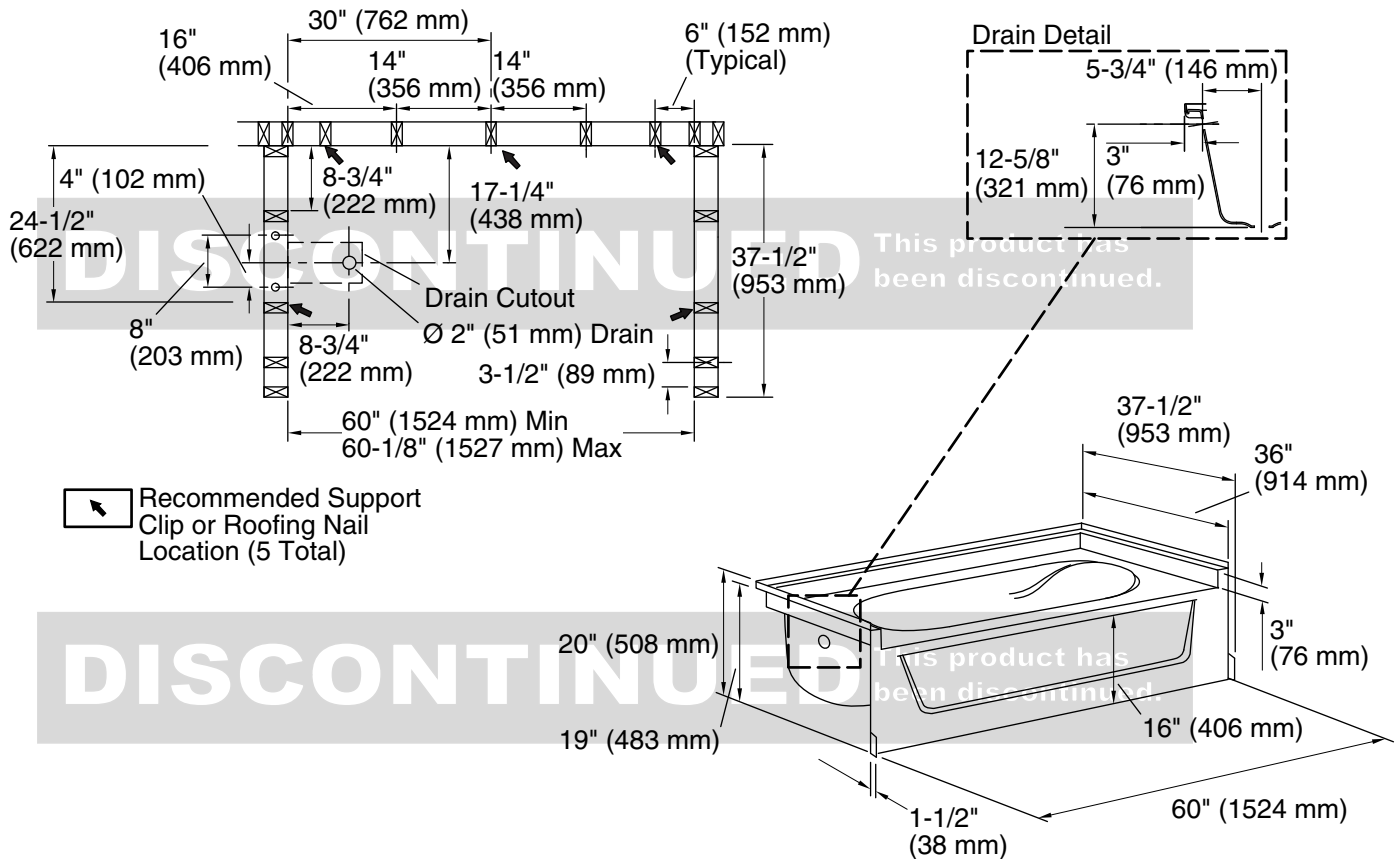
DISCONTINUED This product has been discontinued.

1-800-STERLING (1-800-783-7546)

Kohler Co. reserves the right to make revisions without notice to product specifications.

For the most current Specification Sheet, go to www.sterlingplumbing.com.

5-6-2020 10:10 - US



Technical Information

All product dimensions are nominal.

Installation: Three-wall alcove

Drain location: Left

Basin area, bottom: 40" x 21" (1016 mm x 533 mm)

Basin area, top: 52" x 29" (1321 mm x 737 mm)

Water depth: 11" (279 mm)

Water capacity: 40 gal (151.4 L)

Minimum flat for door: 3-1/4" (83 mm)

Maximum door width: 58-1/2" (1486 mm)

Notes

Install this product according to the installation instructions.

Studs should be positioned roughly as shown for support clip or roofing nail installation.

Double studding is recommended for pivot shower door installations.

ADA compliant when installed to the specific requirements of these regulations.