



Ensemble™

60" x 36" AFD tile bath/shower with access panel

71100129



Features

- 18-1/4 apron.
- Tongue-and-groove walls with snap-together modular design.
- Tile look.
- Corner shelves; built-in armrests and contoured back.
- 3" drain-to-floor clearance for above-floor drain installation.
- Removable access panel.

Material

- Made from solid Vikrell® material for strength, durability, and lasting beauty.

Installation

- Alcove.
- Right drain.
- Some caulk required for proper installation.

Recommended Products/Accessories

K-23726 Drain treatment

K-23733 Vikrell® cleaner

Included Components

Product consists of:

71104100 60" AFD tile bath/shower wall set

71101129 60" AFD bath with access panel and right-hand drain

This product has been discontinued.



Codes/Standards

CSA B45.5/IAPMO Z124

ASTM E162

ASTM E662

HUD, UM Bulletin 73

Warranty – Bathing Fixtures (and Kitchen and Utility Sinks Made of Solid Vikrell® Material)

See website for detailed warranty information.

DISCONTINUED This product has been discontinued.

1-800-STERLING (1-800-783-7546)

Kohler Co. reserves the right to make revisions without notice to product specifications.

For the most current Specification Sheet, go to www.sterlingplumbing.com.

5-6-2020 10:10 - US

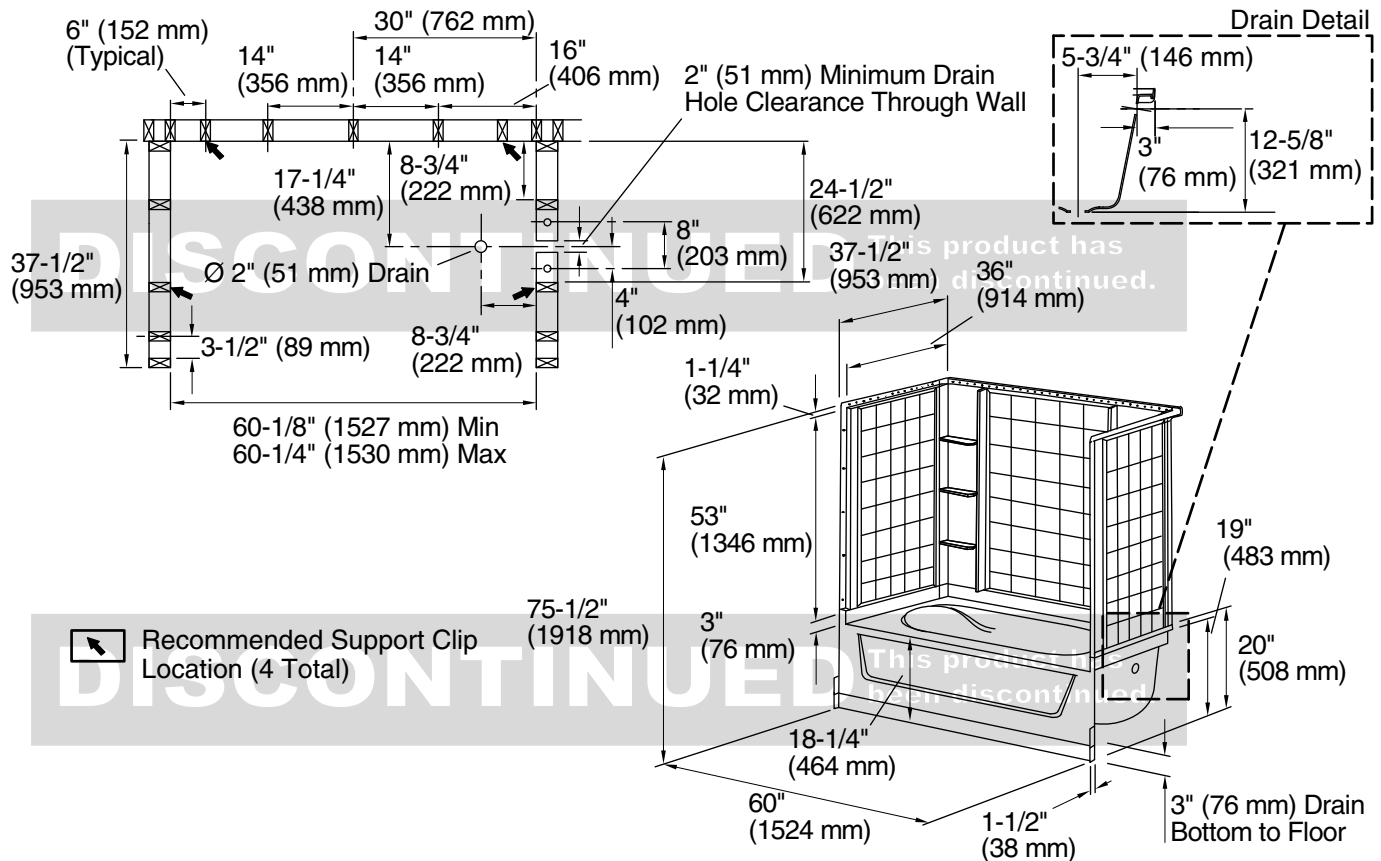
STERLING

A KOHLER COMPANY

Ensemble™

60" x 36" AFD tile bath/shower with access panel

71100129



Technical Information

All product dimensions are nominal.

Installation: Three-wall alcove

Drain location: Right

Basin area, bottom: 40" x 21" (1016 mm x 533 mm)

Basin area, top: 52" x 29" (1321 mm x 737 mm)

Water depth: 11" (279 mm)

Water capacity: 40 gal (151.4 L)

Minimum flat for door: 3-1/4" (83 mm)

Maximum door height: 55-3/4" (1416 mm)

Maximum door width: 58-1/2" (1486 mm)

Notes

Install this product according to the installation instructions.

Studs should be positioned roughly as shown.

Double studding is recommended for pivot shower door installations.

This product has been discontinued.

1-800-STERLING (1-800-783-7546)

Kohler Co. reserves the right to make revisions without notice to product specifications.

For the most current Specification Sheet, go to www.sterlingplumbing.com.

5-6-2020 10:10 - US