



# Ensemble™ Tile

60" x 36" Vikrell® bath/shower with Aging in Place backerboards, right above-floor drain  
**71100128**



### Features

- 18-1/4 apron
- Tongue-and-groove walls with snap-together modular design
- Tile look
- Corner shelves; built-in armrests and contoured back
- 3" (76 mm) drain-to-floor clearance for above-floor drain installation
- Aging in Place backerboards

### Material

- Made from solid Vikrell® material for strength, durability, and lasting beauty

### Installation

- Alcove
- Right drain
- Some caulk required for proper installation

### Recommended Products/Accessories

- K-23726 Drain treatment
- K-23733 Vikrell® cleaner

### Included Components

- 71104106 60" x 36" Vikrell® bath/shower wall set with Aging in Place backerboards
- 71101122 60" x 36" Vikrell® bath, right above-floor drain



### Codes/Standards

- CSA B45.5/IAPMO Z124
- ASTM E162
- ASTM E662
- HUD, UM Bulletin 73
- IAPMO Certification

### STERLING® Vikrell® or Acrylic Baths and Shower Bases Ten-Year Limited Warranty

See website for detailed warranty information.

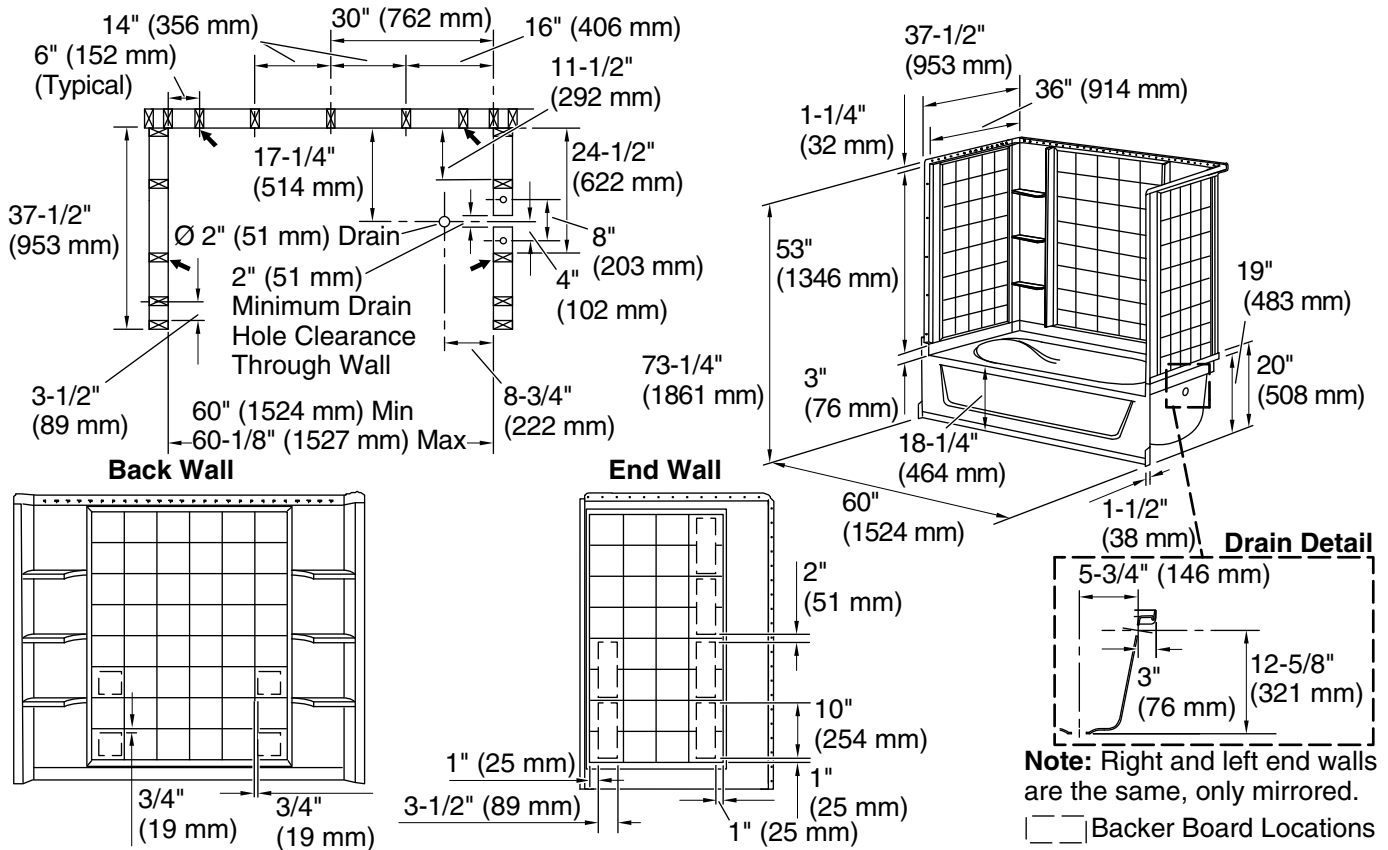
### Available Colors/Finishes

*Color tiles intended for reference only.*

#### Color Code Description

	0	White
---	---	-------

**Ensemble™ Tile**  
60" x 36" Vikrell® bath/shower with Aging in Place  
backerboards, right above-floor drain  
**71100128**



**Technical Information**

All product dimensions are nominal.

Drain location:	Right
Basin area, bottom:	40" x 21" (1016 mm x 533 mm)
Basin area, top:	52" x 29" (1321 mm x 737 mm)
Water depth:	11" (279 mm)
Water capacity:	40 gal (151.4 L)
Maximum door height:	55-3/4" (1416 mm)
Maximum door width:	58-1/2" (1486 mm)

**Notes**

Install this product according to the installation instructions.

Studs should be positioned roughly as shown. Double studing is recommended for pivot shower door installations.

Attach grab bars at the specified backerboard locations only.