

STERLING

A KOHLER COMPANY

Ensemble™

60" AFD tile bath/shower w/Aging in Place backerboards

71100128



Features

- 18-1/4 apron.
- Tongue-and-groove walls with snap-together modular design.
- Tile look.
- Corner shelves; built-in armrests and contoured back.
- 3" drain-to-floor clearance for above-floor drain installation.
- Aging in Place backerboards.

Material

- Made from solid Vikrell® material for strength, durability, and lasting beauty.

Installation

- Alcove.
- Right drain.
- Some caulk required for proper installation.

Recommended Products/Accessories

- K-23726 Drain treatment
- K-23733 Vikrell® cleaner

Included Components

Product consists of:

- 71104106 60" bath/shower wall set w/Aging in Place backerboards
- 71101122 60" x 36" AFD bath with right-hand drain



Codes/Standards

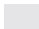

- CSA B45.5/IAPMO Z124
- ASTM E162
- ASTM E662
- HUD, UM Bulletin 73

Warranty – Bathing Fixtures (and Kitchen and Utility Sinks Made of Solid Vikrell® Material)

See website for detailed warranty information.

Available Colors/Finishes

Color tiles intended for reference only.

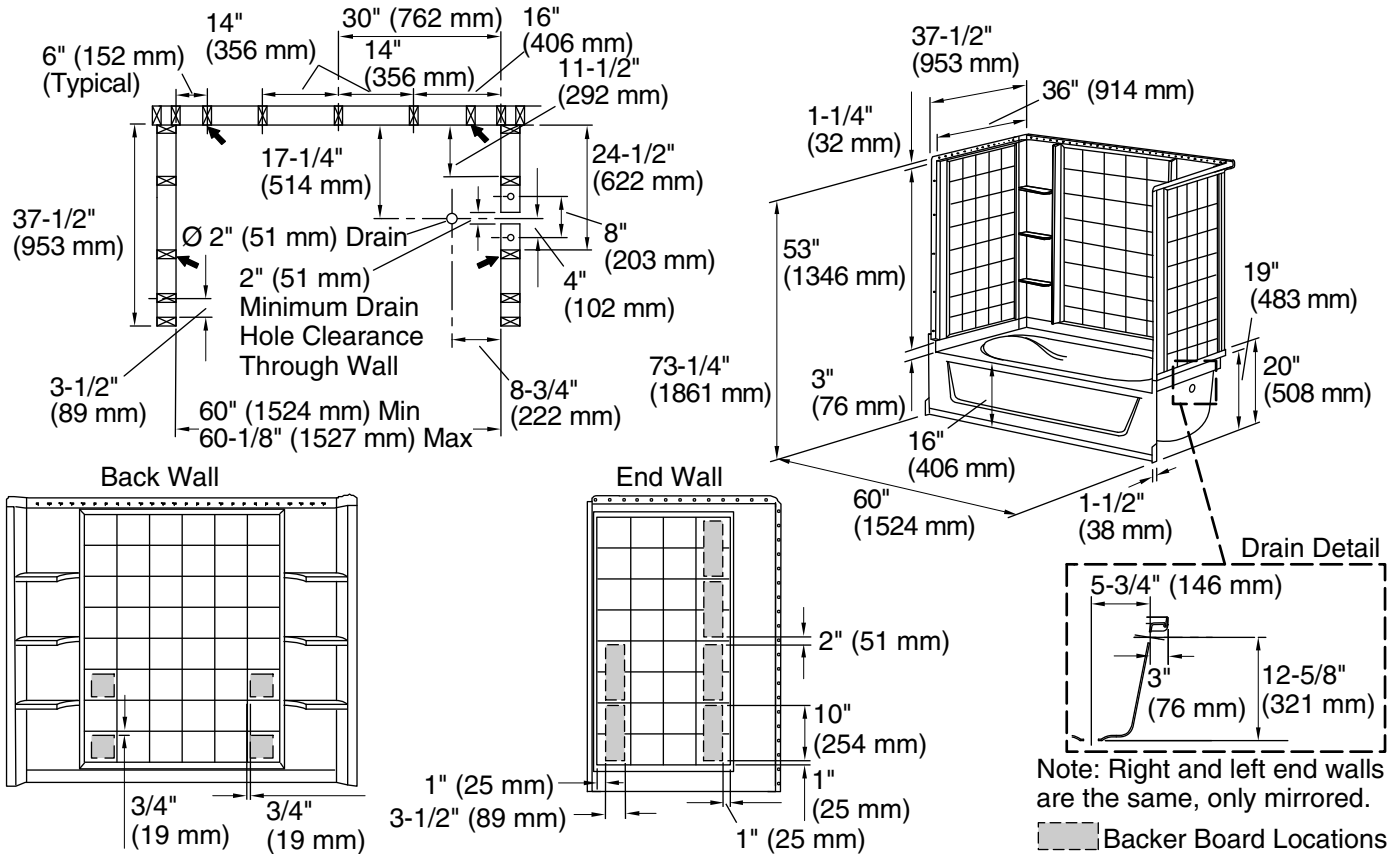
Color	Code	Description
	0	White
	96	KOHLER Biscuit

1-800-STERLING (1-800-783-7546)

Kohler Co. reserves the right to make revisions without notice to product specifications.

For the most current Specification Sheet, go to www.sterlingplumbing.com.

5-6-2020 10:10 - US



Technical Information

All product dimensions are nominal.

- Installation: Three-wall alcove
- Drain location: Right
- Basin area, bottom: 40" x 21" (1016 mm x 533 mm)
- Basin area, top: 52" x 29" (1321 mm x 737 mm)
- Water depth: 11" (279 mm)
- Water capacity: 40 gal (151.4 L)
- Minimum flat for door: 3-1/4" (83 mm)
- Maximum door height: 55-3/4" (1416 mm)
- Maximum door width: 58-1/2" (1486 mm)

Notes

- Install this product according to the installation instructions.
- Studs should be positioned roughly as shown. Double studding is recommended for pivot shower door installations.
- Attach grab bars at the specified backer board locations only.