



Features

- 18-1/4 apron.
- Tongue-and-groove walls with snap-together modular design.
- Tile look.
- Corner shelves; built-in armrests and contoured back.
- 3" drain-to-floor clearance for above-floor drain installation.
- Removable access panel.

Material

- Made from solid Vikrell® material for strength, durability, and lasting beauty.

Installation

- Alcove.
- Left drain.
- Some caulk required for proper installation.

Recommended Products/Accessories

K-23726 Drain treatment

K-23733 Vikrell® cleaner

Included Components

Product consists of:

71104100 60" AFD tile bath/shower wall set

71101119 60" x 32" AFD bath with access panel and left-hand drain

This product has been discontinued.



Codes/Standards

CSA B45.5/IAPMO Z124

ASTM E162

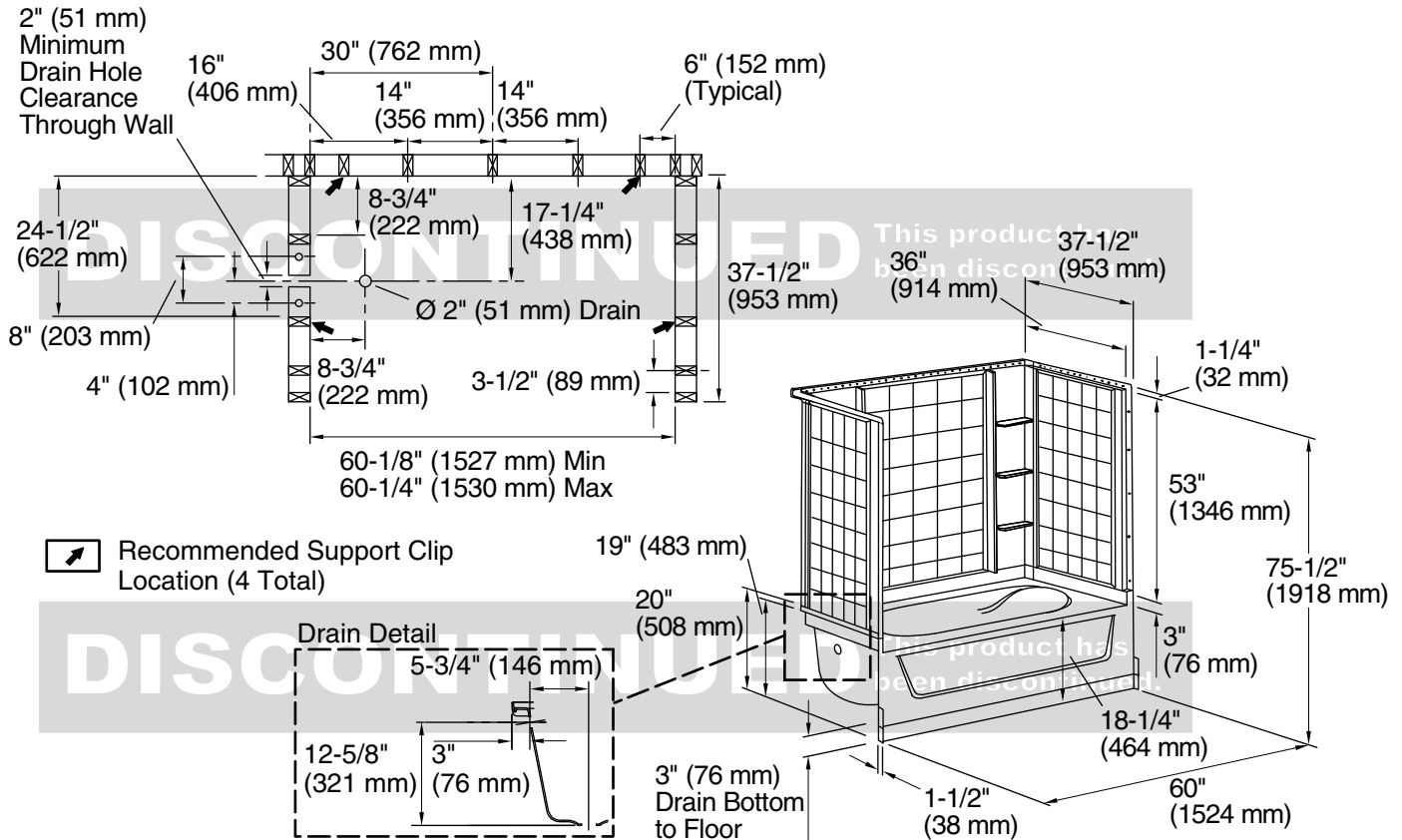
ASTM E662

HUD, UM Bulletin 73

Warranty – Bathing Fixtures (and Kitchen and Utility Sinks Made of Solid Vikrell® Material)

See website for detailed warranty information.

DISCONTINUED This product has been discontinued.



Technical Information

All product dimensions are nominal.

Installation: Three-wall alcove

Drain location: Left

Basin area, bottom: 40" x 21" (1016 mm x 533 mm)

Basin area, top: 52" x 29" (1321 mm x 737 mm)

Water depth: 11" (279 mm)

Water capacity: 40 gal (151.4 L)

Minimum flat for door: 3-1/4" (83 mm)

Maximum door height: 55-3/4" (1416 mm)

Maximum door width: 58-1/2" (1486 mm)

Notes

Install this product according to the installation instructions.

Studs should be positioned roughly as shown.

Double studding is recommended for pivot shower door installations.

This product has been discontinued.