



A KOHLER COMPANY

Ensemble™

60" x 36" AFD tile bath/shower
71100112



Features

- 18-1/4 apron.
- Tongue-and-groove walls with snap-together modular design.
- Tile look.
- Corner shelves; built-in armrests and contoured back.
- 3" drain-to-floor clearance for above-floor drain installation.

Material

- Made from solid Vikrell® material for strength, durability, and lasting beauty.

Installation

- Alcove.
- Left drain.
- Some caulk required for proper installation.

Recommended Products/Accessories

K-23726 Drain treatment

K-23733 Vikrell® cleaner

Included Components

Product consists of:

71104100 60" AFD tile bath/shower wall set

71101112 60" x 36" AFD bath



Codes/Standards

CSA B45.5/IAPMO Z124

ASTM E162

ASTM E662



HUD, UM Bulletin 73

Warranty – Bathing Fixtures (and Kitchen and Utility Sinks Made of Solid Vikrell® Material)

See website for detailed warranty information.

Available Colors/Finishes

Color tiles intended for reference only.

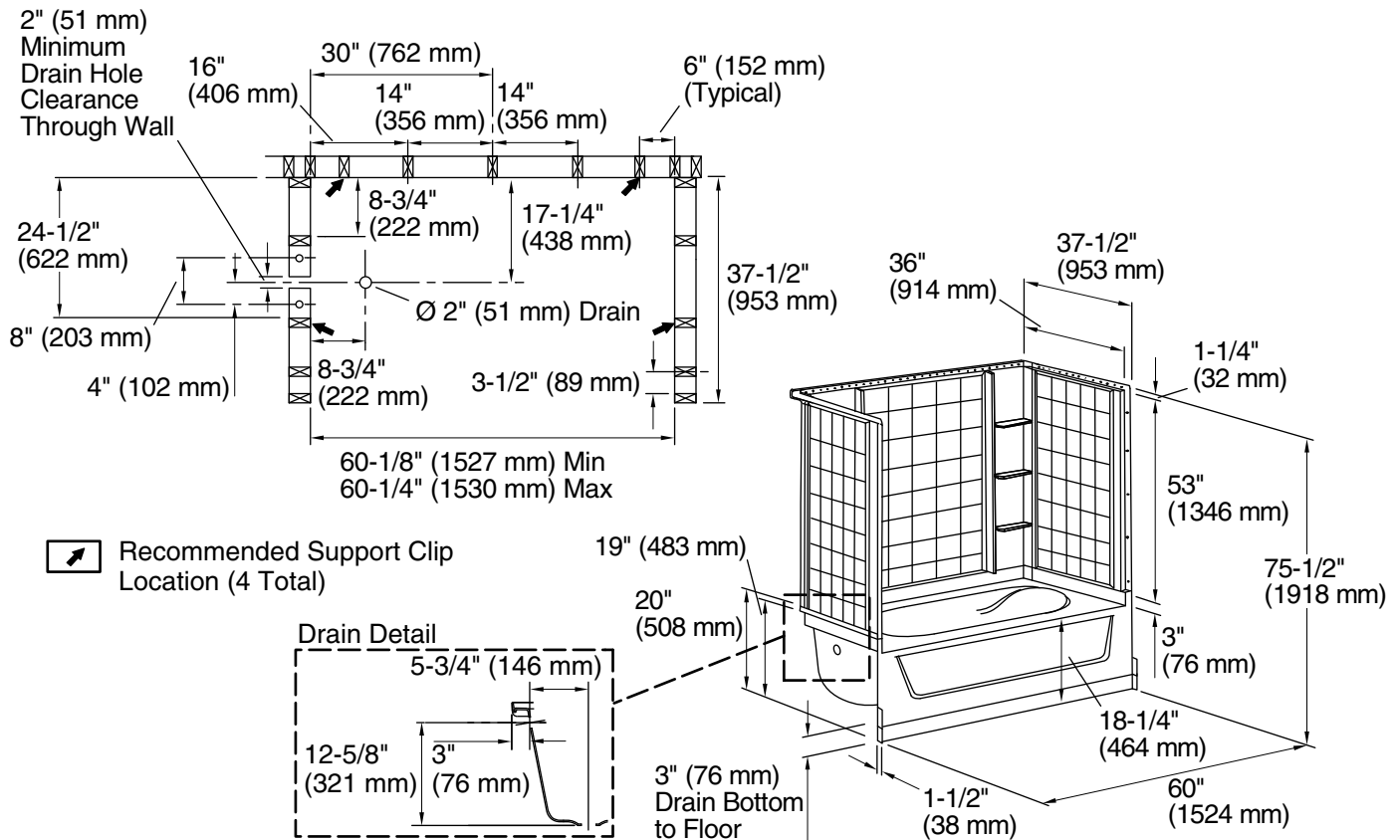
Color	Code	Description
	0	White
	96	KOHLER Biscuit

1-800-STERLING (1-800-783-7546)

Kohler Co. reserves the right to make revisions without notice to product specifications.

For the most current Specification Sheet, go to www.sterlingplumbing.com.

5-6-2020 10:09 - US



Technical Information

All product dimensions are nominal.

Installation:	Three-wall alcove
Drain location:	Left
Basin area, bottom:	40" x 21" (1016 mm x 533 mm)
Basin area, top:	52" x 29" (1321 mm x 737 mm)
Water depth:	11" (279 mm)
Water capacity:	40 gal (151.4 L)
Minimum flat for door:	3-1/4" (83 mm)
Maximum door height:	55-3/4" (1416 mm)
Maximum door width:	58-1/2" (1486 mm)

Notes

Install this product according to the installation instructions.

Studs should be positioned roughly as shown.

Double studding is recommended for pivot shower door installations.