



# Ensemble™ Tile

60" x 36" Vikrell® bath/shower, left drain  
71100110



## Features

- 16" apron
- Tongue-and-groove walls with snap-together modular design
- Tile look
- Corner shelves; built-in armrests and contoured back

## Material

- Made from solid Vikrell® material for strength, durability, and lasting beauty

## Installation

- Alcove
- Left drain
- Some caulk required for proper installation

## Recommended Products/Accessories

- K-23726 Drain treatment
- K-23733 Vikrell® cleaner

## Included Components

- 71104100 60" x 36" Vikrell® bath/shower wall set
- 71101110 60" x 36" Vikrell® bath, left drain



## Codes/Standards

- CSA B45.5/IAPMO Z124
- ASTM E162
- ASTM E662
- HUD, UM Bulletin 73
- IAPMO Certification


## STERLING® Vikrell® or Acrylic Baths and Shower Bases Ten-Year Limited Warranty

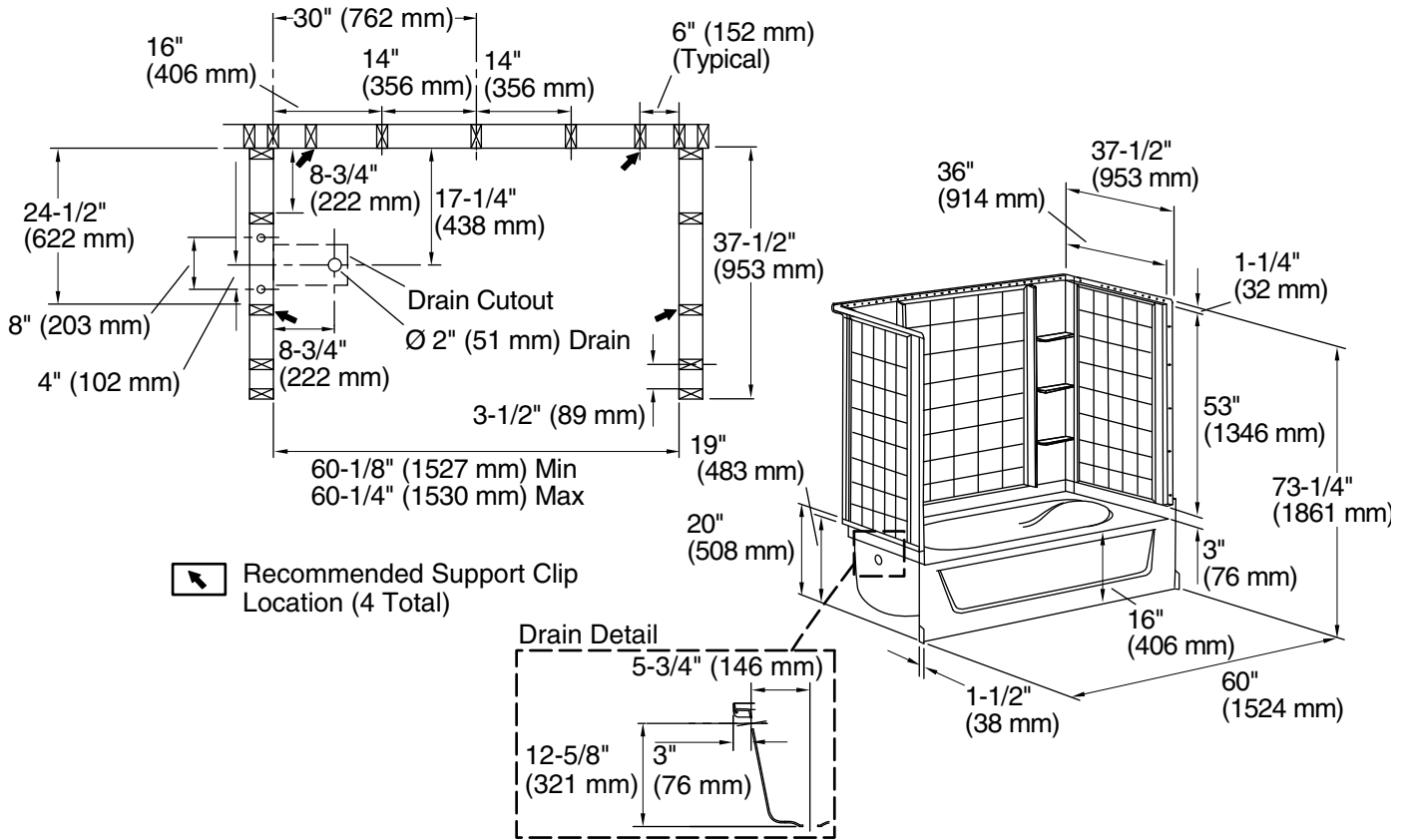
See website for detailed warranty information.

## Available Colors/Finishes

*Color tiles intended for reference only.*

### Color Code Description

	0	White
---	---	-------



**Technical Information**

All product dimensions are nominal.

- Drain location: Left
- Basin area, bottom: 40" x 21" (1016 mm x 533 mm)
- Basin area, top: 52" x 29" (1321 mm x 737 mm)
- Water depth: 11" (279 mm)
- Water capacity: 40 gal (151.4 L)
- Maximum door height: 55-3/4" (1416 mm)
- Maximum door width: 58-1/2" (1486 mm)

**Notes**

- Install this product according to the installation instructions.
- Studs should be positioned roughly as shown.
- Double studding is recommended for pivot shower door installations.