



Acclaim™
60-1/4" x 30" x 72" bath/shower with Age in Place
backers - left-hand drain
71090116



Features

- Wall surround features molded-in back wall shelving and an arch-like design for visual appeal (walls are required to complete installation)
- Designed with a 15" apron
- Modular design allows it to be moved around corners and through doorways with ease
- Durable high-gloss finish provides a smooth, shiny surface that is easy to clean
- The large deck area is great for storing toiletries
- Factory-installed Aging in Place backerboards for future grab bar installation
- Bath-only installation not recommended. Install with 71094106 wall set

Codes/Standards

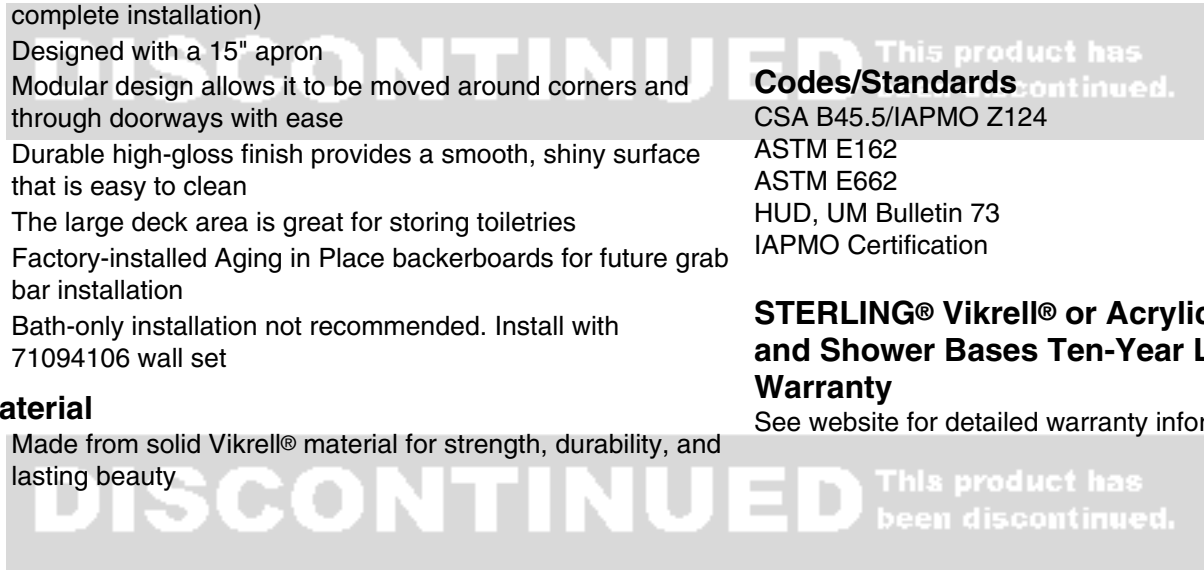
- CSA B45.5/IAPMO Z124
- ASTM E162
- ASTM E662
- HUD, UM Bulletin 73
- IAPMO Certification

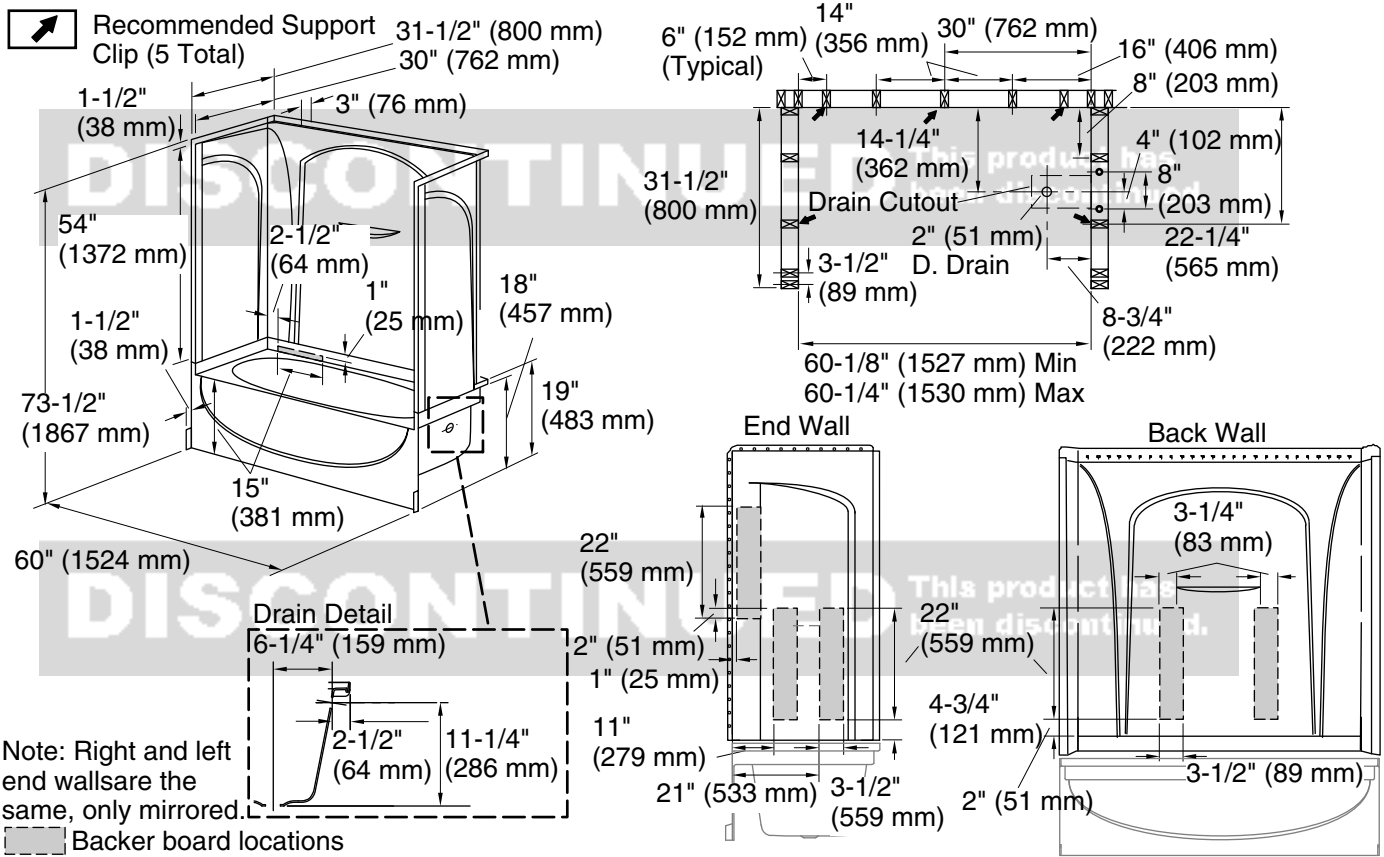
STERLING® Vikrell® or Acrylic Baths and Shower Bases Ten-Year Limited Warranty

See website for detailed warranty information.

Material

- Made from solid Vikrell® material for strength, durability, and lasting beauty





Technical Information

All product dimensions are nominal.

Drain location:	Left
Basin area, bottom:	42" x 16-1/4" (1067 mm x 413 mm)
Basin area, top:	56" x 23-3/4" (1422 mm x 603 mm)
Water depth:	12" (305 mm)
Water capacity:	34 gal (128.7 L)
Minimum flat for door:	3" (76 mm)
Maximum door height:	56-1/2" (1435 mm)
Maximum door width:	58-1/2" (1486 mm)

Notes

- Install this product according to the installation instructions.
- Studs should be positioned roughly as shown. Double studing is recommended for pivot shower door installations.
- Adjacent finished wall thickness must not exceed 9/16" (14 mm).
- Attach grab bars at the specified backerboard locations only.