



Performa™

60" x 29" Vikrell® bath/shower with Aging in Place backerboards, right above-floor drain

71040128



Features

- 17-1/4 (438 mm) apron
- Tongue-and-groove walls with snap-together installation
- High-gloss walls
- Full caulking required in all seams
- Acrylic towel bar
- Aging in Place backerboards
- 3" (76 mm) drain-to-floor clearance for above-floor drain installation

Material

- Made from solid Vikrell® material for strength, durability, and lasting beauty

Installation

- Alcove
- Right drain

Recommended Products/Accessories

- 5405-59 Frameless sliding bath door
- 5900-59 Framed sliding bath door
- 5905-59 Framed sliding bath door
- 5906-59 Framed sliding bath door, 56-1/4" H x 59-3/8" W
- 542808-59 55-1/2" H frameless sliding bath door with 5/16"-thick glass
- 581005-59 Frameless sliding bath door
- 80001012 12" straight grab bar
- 80001018 18" straight grab bar
- 80001024 24" straight grab bar
- 80011032 32" straight grab bar
- 80001036 36" straight grab bar
- VA-80172 30" x 35" window trim kit
- K-23726 Drain treatment
- K-23733 Vikrell® cleaner

Included Components

- 71044106 60" x 29" Vikrell® bath/shower wall set with Aging in Place backerboards
- 71041122 60" x 29" Vikrell® bath, right above-floor drain



Codes/Standards

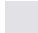
- CSA B45.5/IAPMO Z124
- ASTM E162
- ASTM E662
- HUD, UM Bulletin 73
- IAPMO Certification

STERLING® Vikrell® or Acrylic Baths and Shower Bases Ten-Year Limited Warranty

See website for detailed warranty information.

Available Colors/Finishes

Color tiles intended for reference only.

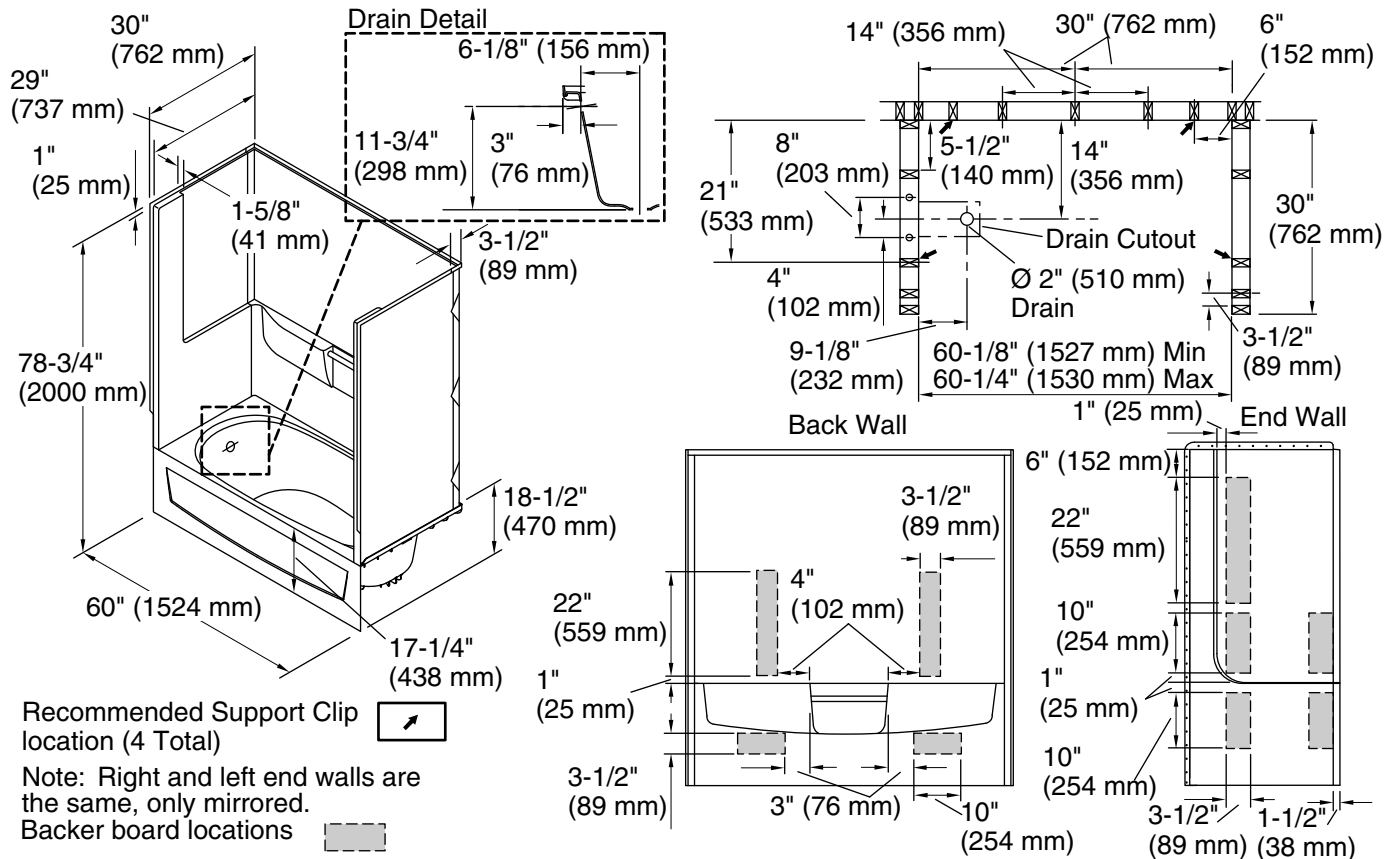
Color	Code	Description
	0	White

1-800-STERLING (1-800-783-7546)

Kohler Co. reserves the right to make revisions without notice to product specifications.

For the most current Specification Sheet, go to www.sterlingplumbing.com.

3-25-2024 21:14 - US



Technical Information

All product dimensions are nominal.

- Drain location: Right
- Basin area, bottom: 21" x 39" (533 mm x 991 mm)
- Basin area, top: 24" x 53" (610 mm x 1346 mm)
- Water depth: 9-3/4" (248 mm)
- Water capacity: 35 gal (132.5 L)
- Maximum door height: 59-1/2" (1511 mm)
- Maximum door width: 56-3/4" (1441 mm)

Notes

- Install this product according to the installation instructions.
- Studs should be positioned roughly as shown. Double studing is recommended for pivot shower door installations.
- Attach grab bars at the specified backerboard locations only.