

STERLING

A KOHLER COMPANY

Performa™

60" AFD bath/shower with Aging in Place backerboards

71040128



Features

- 17-1/4 apron.
- Tongue-and-groove walls with snap-together installation.
- High-gloss walls.
- Full caulking required in all seams.
- Acrylic towel bar.
- Aging in Place backerboards.
- 3" drain-to-floor clearance for above-floor drain installation.

Material

- Made from solid Vikrell® material for strength, durability, and lasting beauty.

Installation

- Alcove.
- Right drain.

Recommended Products/Accessories

- 500C-59 Framed sliding bath door
- 690B-59 Framed sliding bath door
- 5405-59 Frameless sliding bath door
- 5900-57 Framed sliding bath door
- 5900-59 Framed sliding bath door
- 5905-57 Framed sliding bath door
- 5905-59 Framed sliding bath door
- 5906-59 Framed sliding bath door
- 5907-59 Framed sliding bath door
- 542808-59 Frameless sliding bath door
- 572005-59 Framed sliding shower door
- 581005-59 Frameless sliding bath door
- 80001012 12" straight grab bar
- 80001018 18" straight grab bar
- 80001024 24" straight grab bar
- 80011032 32" straight grab bar
- 80001036 36" straight grab bar
- VA-80172 30" x 35" window trim kit
- K-23726 Drain treatment
- K-23733 Vikrell® cleaner

Included Components

Product consists of:

- 71044106 60" bath/shower wall set w/Aging in Place backerboards
- 71041122 60" x 29" AFD bath



Codes/Standards

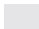

CSA B45.5/IAPMO Z124
ASTM E162
ASTM E662
HUD, UM Bulletin 73

Warranty – Bathing Fixtures (and Kitchen and Utility Sinks Made of Solid Vikrell® Material)

See website for detailed warranty information.

Available Colors/Finishes

Color tiles intended for reference only.

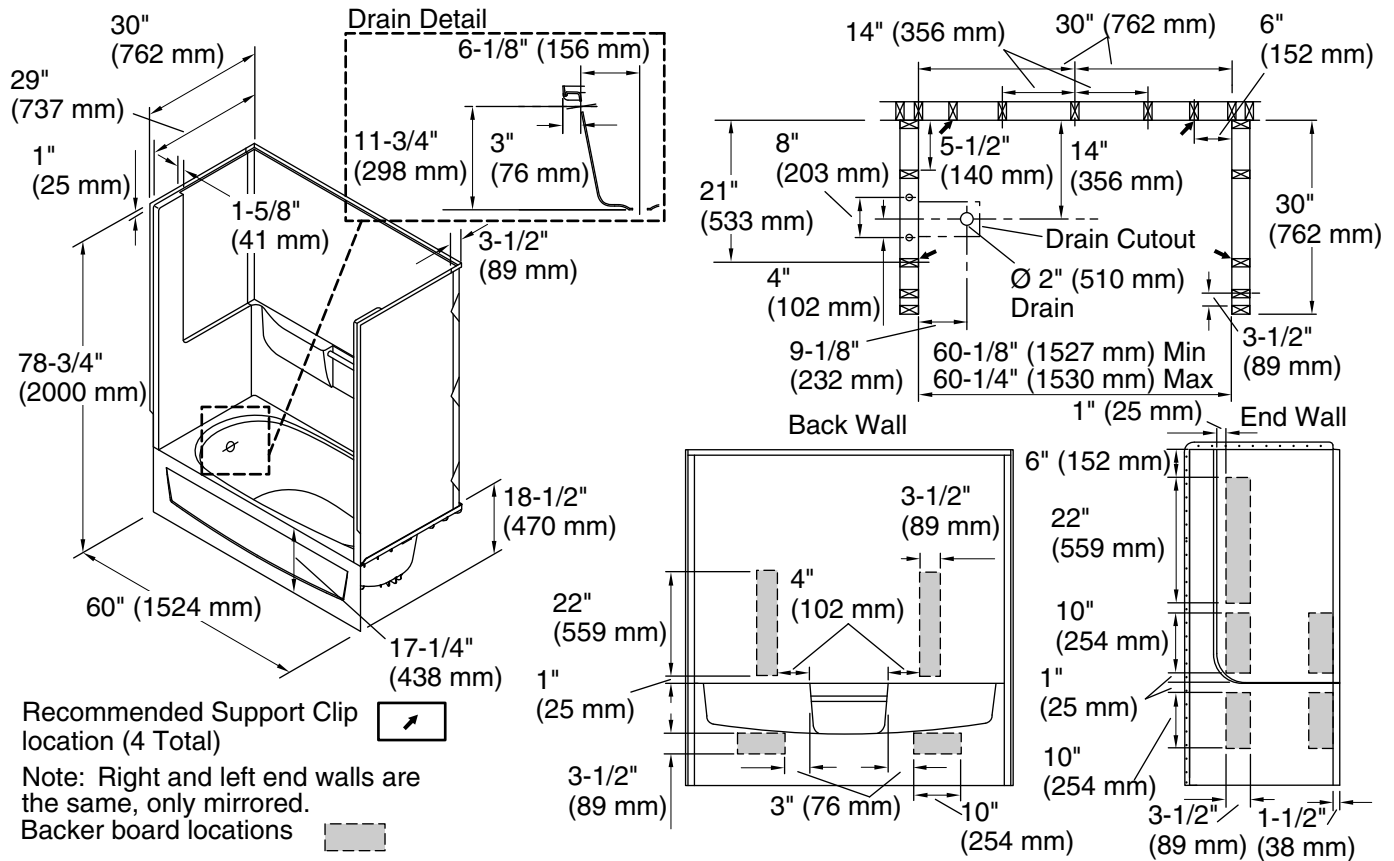
Color	Code	Description
	0	White
	96	KOHLER Biscuit

1-800-STERLING (1-800-783-7546)

Kohler Co. reserves the right to make revisions without notice to product specifications.

For the most current Specification Sheet, go to www.sterlingplumbing.com.

5-6-2020 10:06 - US



Technical Information

All product dimensions are nominal.

Installation:	Three-wall alcove
Drain location:	Right
Basin area, bottom:	21" x 39" (533 mm x 991 mm)
Basin area, top:	24" x 53" (610 mm x 1346 mm)
Water depth:	10-1/4" (260 mm)
Water capacity:	35 gal (132.5 L)
Minimum flat for door:	1-3/4" (44 mm)
Maximum door height:	59-1/2" (1511 mm)
Maximum door width:	56-3/4" (1441 mm)

Notes

- Install this product according to the installation instructions.
- Studs should be positioned roughly as shown. Double studding is recommended for pivot shower door installations.
- Attach grab bars at the specified backerboard locations only.