



# Performa™ 60" x 29" Vikrell® bath/shower with Aging in Place backerboards, right drain 71040126



### Features

- 15" (381 mm) apron
- Tongue-and-groove walls with snap-together installation
- High-gloss walls
- Full caulking required in all seams
- Acrylic towel bar
- Aging in Place backerboards

### Material

- Made from solid Vikrell® material for strength, durability, and lasting beauty

### Installation

- Alcove
- Right drain

### Recommended Products/Accessories

- 5405-59 Frameless sliding bath door
- 5900-59 Framed sliding bath door
- 5905-59 Framed sliding bath door
- 5906-59 Framed sliding bath door, 56-1/4" H x 59-3/8" W
- 542808-59 55-1/2" H frameless sliding bath door with 5/16"-thick glass
- 581005-59 Frameless sliding bath door
- 80001012 12" straight grab bar
- 80001018 18" straight grab bar
- 80001024 24" straight grab bar
- 80011032 32" straight grab bar
- 80001036 36" straight grab bar
- VA-80172 30" x 35" window trim kit
- K-23726 Drain treatment
- K-23733 Vikrell® cleaner

### Included Components

- 71044106 60" x 29" Vikrell® bath/shower wall set with Aging in Place backerboards
- 71041120 60" x 29" Vikrell® bath, right drain



### Codes/Standards

- CSA B45.5/IAPMO Z124
- ASTM E162
- ASTM E662
- HUD, UM Bulletin 73
- IAPMO Certification

### STERLING® Vikrell® or Acrylic Baths and Shower Bases Ten-Year Limited Warranty

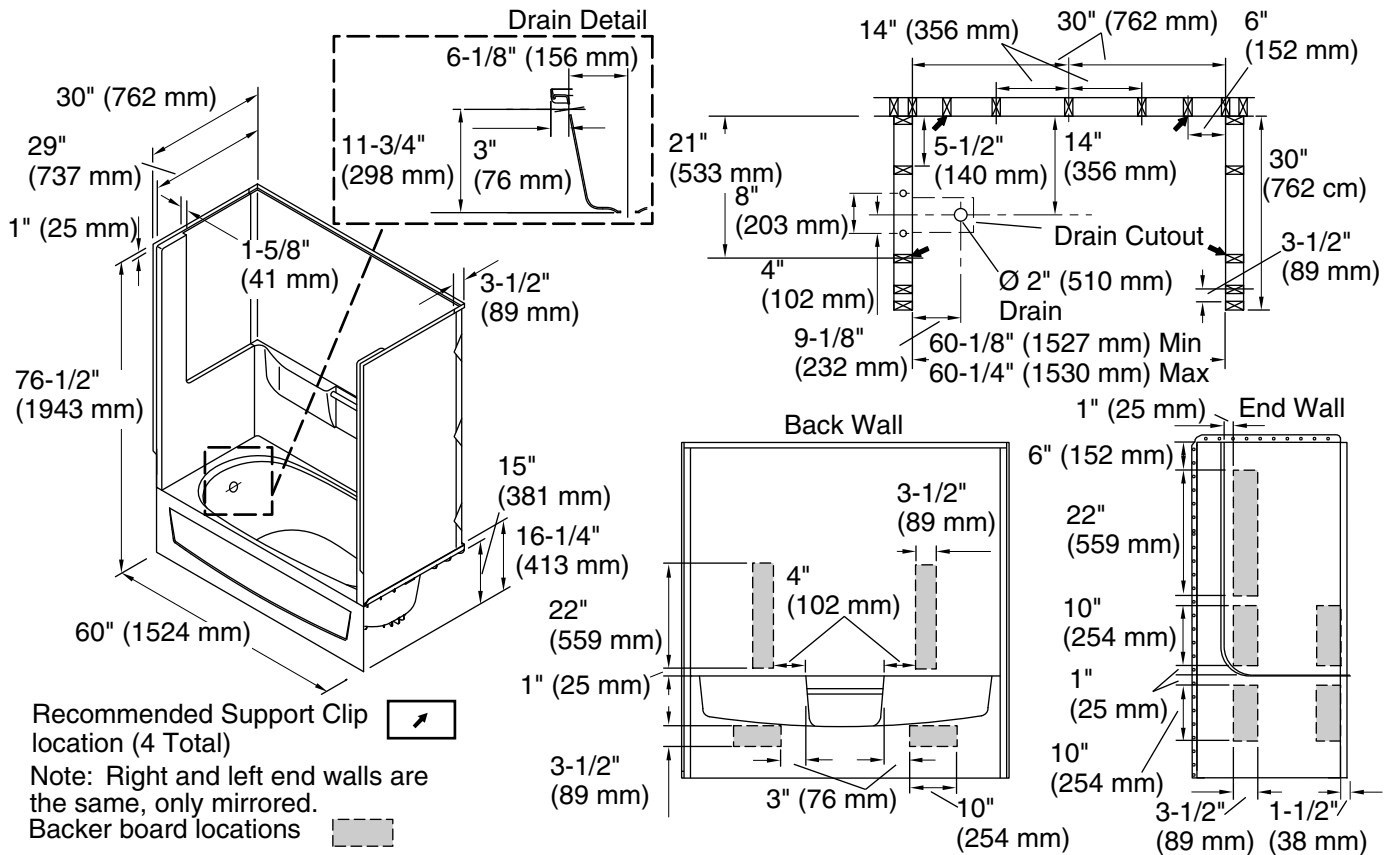
See website for detailed warranty information.

### Available Colors/Finishes

*Color tiles intended for reference only.*

#### Color Code Description

	0	White
-------------------------------------------------------------------------------------	---	-------



**Technical Information**

All product dimensions are nominal.

- Drain location: Right
- Basin area, bottom: 21" x 39" (533 mm x 991 mm)
- Basin area, top: 24" x 53" (610 mm x 1346 mm)
- Water depth: 9-3/4" (248 mm)
- Water capacity: 35 gal (132.5 L)
- Maximum door height: 59-1/2" (1511 mm)
- Maximum door width: 56-3/4" (1441 mm)

**Notes**

- Install this product according to the installation instructions.
- Studs should be positioned as shown.
- Double studding is recommended for pivot shower door installations.
- Attach grab bars at the specified backerboard locations only.