

STERLING

A KOHLER COMPANY

Performa™

60" AFD bath/shower with Aging in Place backerboards

71040118



Features

- 17-1/4 apron.
- Tongue-and-groove walls with snap-together installation.
- High-gloss walls.
- Full caulking required in all seams.
- Acrylic towel bar.
- Aging in Place backerboards.
- 3" drain-to-floor clearance for above-floor drain installation.

Material

- Made from solid Vikrell® material for strength, durability, and lasting beauty.

Installation

- Alcove.
- Left drain.

Recommended Products/Accessories

- K-23726 Drain treatment
- K-23733 Vikrell® cleaner

Included Components

Product consists of:

- 71041112 60" x 29" AFD bath
- 71044106 60" bath/shower wall set w/Aging in Place backerboards



Codes/Standards

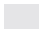

- CSA B45.5/IAPMO Z124
- ASTM E162
- ASTM E662
- HUD, UM Bulletin 73

Warranty – Bathing Fixtures (and) Kitchen and Utility Sinks Made of Solid Vikrell® Material

See website for detailed warranty information.

Available Colors/Finishes

Color tiles intended for reference only.

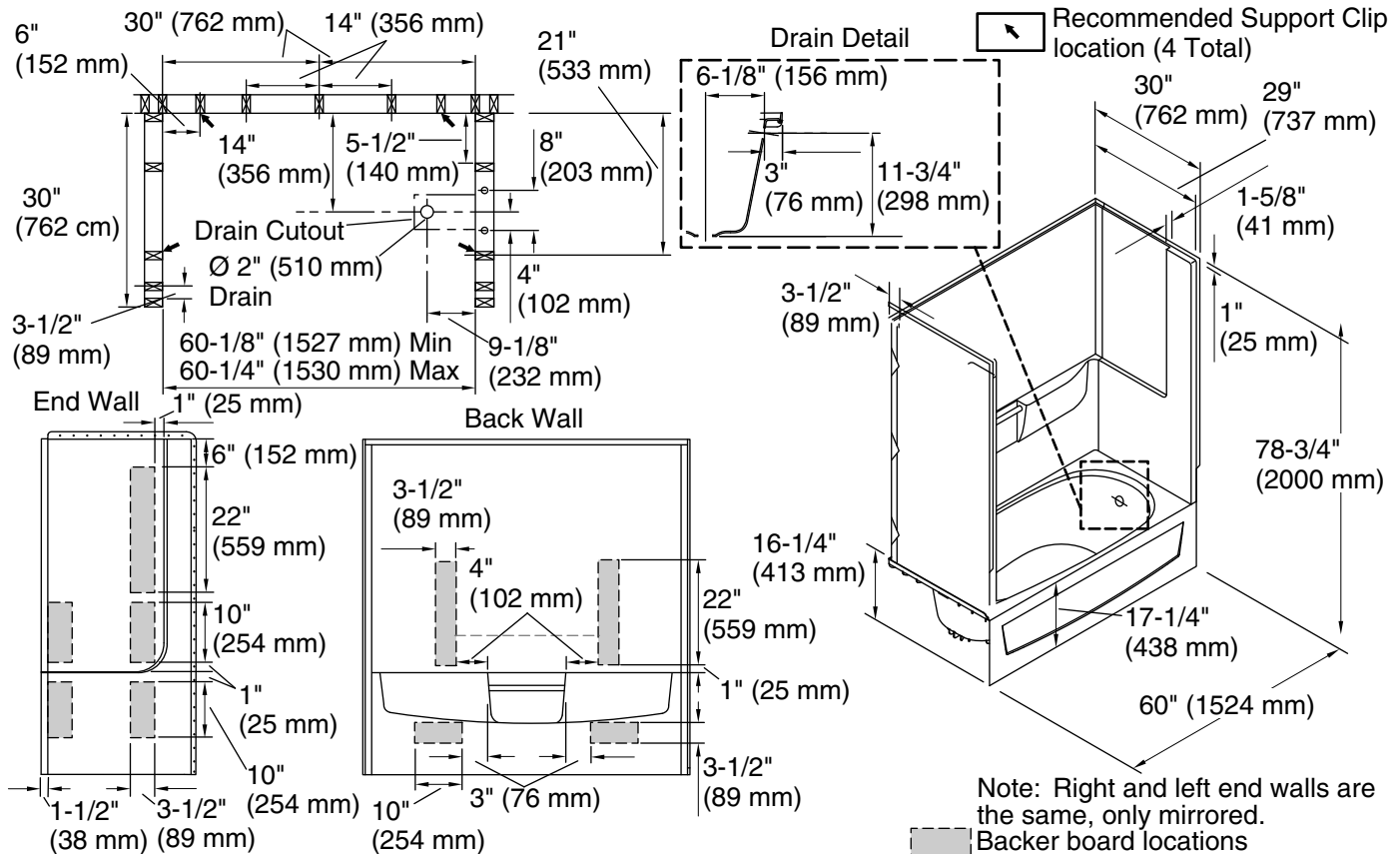
Color	Code	Description
	0	White
	96	KOHLER Biscuit

1-800-STERLING (1-800-783-7546)

Kohler Co. reserves the right to make revisions without notice to product specifications.

For the most current Specification Sheet, go to www.sterlingplumbing.com.

5-6-2020 10:05 - US



Technical Information

All product dimensions are nominal.

- Installation: Three-wall alcove
- Drain location: Left
- Basin area, bottom: 21" x 39" (533 mm x 991 mm)
- Basin area, top: 24" x 53" (610 mm x 1346 mm)
- Water depth: 10-1/4" (260 mm)
- Water capacity: 35 gal (132.5 L)
- Minimum flat for door: 1-3/4" (44 mm)
- Maximum door height: 59-1/2" (1511 mm)
- Maximum door width: 56-3/4" (1441 mm)

Notes

- Install this product according to the installation instructions.
- Studs should be positioned roughly as shown. Double studding is recommended for pivot shower door installations.
- Attach grab bars at the specified backerboard locations only.