



Standard Framed Sliding Bath Door 690B-59

Features

- Framed
- 1/8" glass
- Towel bar
- Out-of-plumb adjustability
- Tempered glass ensures maximum safety and durability
- Anodized aluminum prevents rusting and corrosion

Installation

- Not for use in hospitality.
- For residential use only.

Included Components

Additional Components:
Hardware kit



Codes/Standards

ANSI Z97.1
CPSC 16CFR 1201

STERLING® Warranty - Bath and Shower Doors

See website for detailed warranty information.

Available Colors/Finishes

Color tiles intended for reference only.

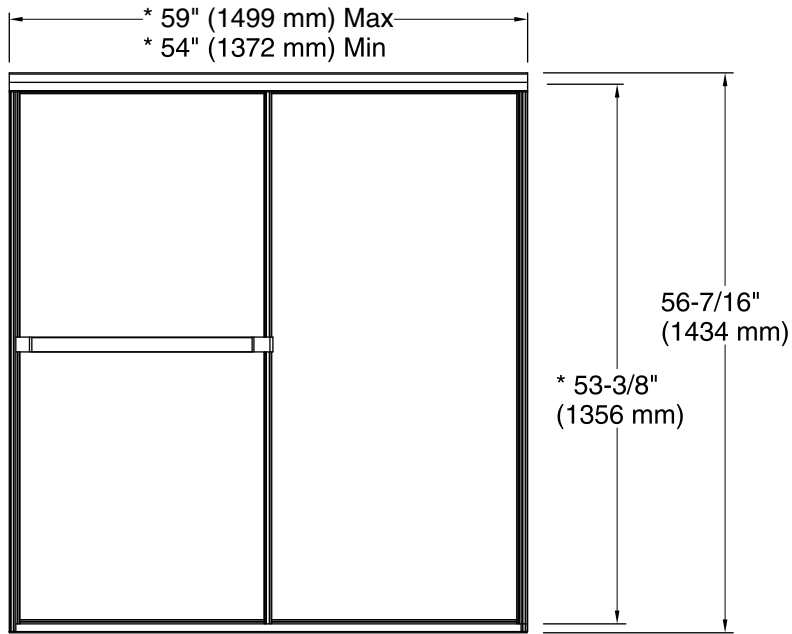
| Color | Code | Description |
|-------|------|-------------|
|-------|------|-------------|

| | | |
|--|---|--|
| | S | |
|--|---|--|

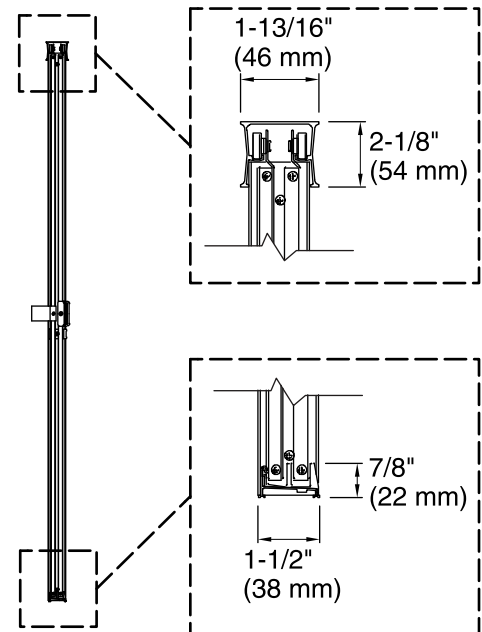
Available Glass Options

| Code | Description |
|------|-------------|
|------|-------------|

| | |
|--|------------------|
| | Hammered |
| | Hammered, Mirror |



* 28-1/16" (713 mm) Max
* 23-1/16" (586 mm) Min



* Walk-through

Technical Information

All product dimensions are nominal.
 Installation type: For bath installation
 Opening Width - Min: 54" (1372 mm)
 Opening Width - Max: 59" (1499 mm)
 Walk-through - Min: 23-1/16" (586 mm)
 Walk-through - Max: 28-1/16" (713 mm)
 Glass thickness: 1/8" (3 mm)

Notes

Install this product according to the installation guide.
 The vertical opening should be a minimum of 57-15/16" (1472 mm) to allow for installation clearance.