



Standard Framed sliding bath door 690B-52

Features

- Framed, 1/8" (3 mm) thick tempered glass.
- Towel bar.
- Tempered glass ensures maximum safety and durability.

Material

- Anodized aluminum prevents rust and corrosion.

Installation

- Out-of-plumb adjustability simplifies installation.
- Not for use in hospitality.
- For residential use only.

Recommended Products/Accessories

K-23723 Faucet cleaner

Included Components

Additional Components:

Hardware kit



Codes/Standards

ANSI Z97.1

CPSC 16CFR 1201

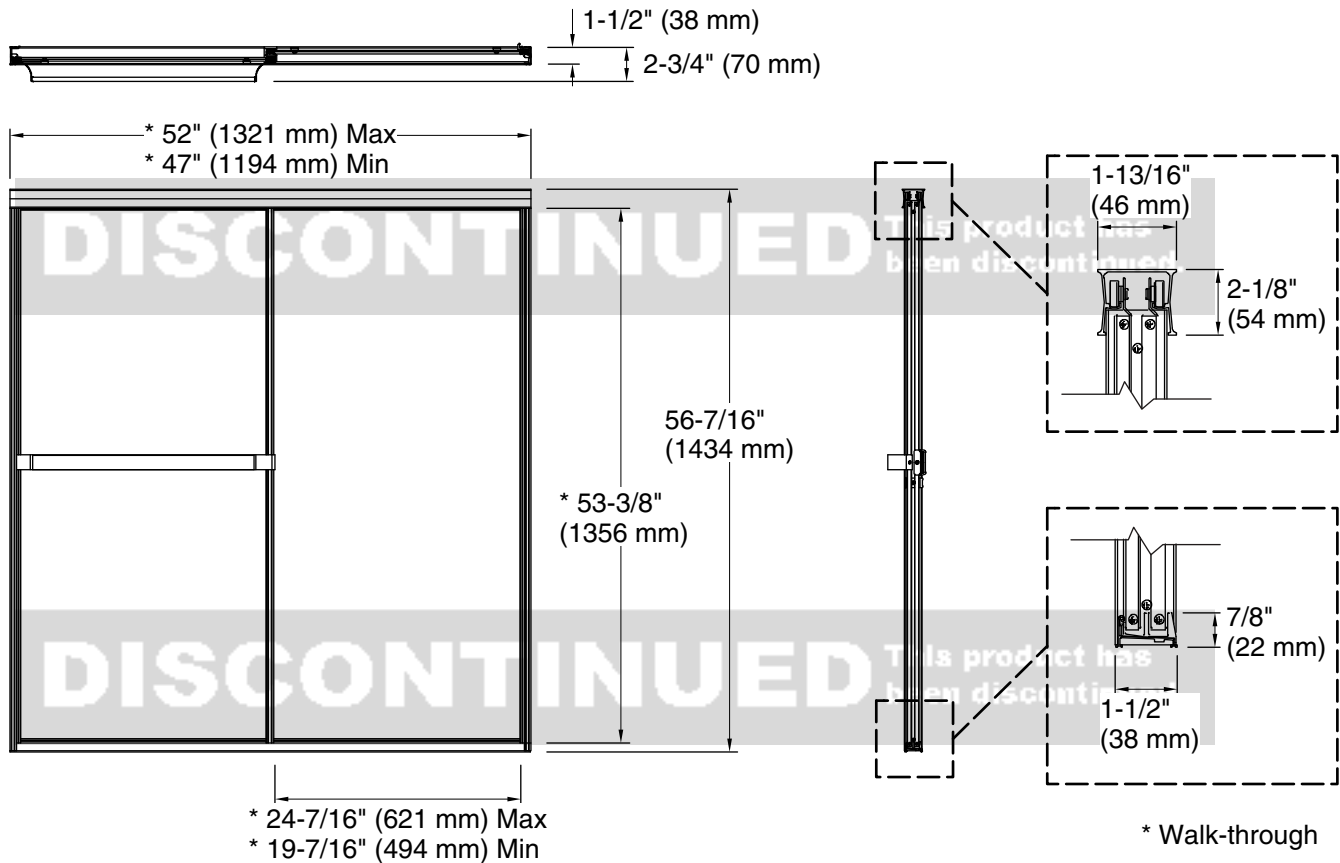
DISCONTINUED **STERLING® Warranty - Bath and Shower Doors** This product has been discontinued.

See website for detailed warranty information.

Available Glass Options

Code	Description
	Hammered

DISCONTINUED This product has been discontinued.



Technical Information

All product dimensions are nominal.

Installation type: For bath installation

Opening Width - 47" (1194 mm)
Min:

Opening Width - 52" (1321 mm)
Max:

Walk-through - Min: 19-7/16" (494 mm)

Walk-through - Max: 24-7/16" (621 mm)

Base-To-Wall 1/4" (6 mm)

Radius - Max:

Glass thickness: 1/8" (3 mm)

Notes

Install this product according to the installation guide.

The vertical opening should be a minimum of 57-15/16" (1472 mm) to allow for installation clearance.