



Standard

Framed sliding shower door
660B-56

Features

- Framed, 1/8" (3 mm) thick tempered glass
- Towel bar
- Tempered glass ensures enhanced safety and durability

Material

- Anodized aluminum prevents rust and corrosion

Installation

- Out-of-plumb adjustability simplifies installation
- Not for use in hospitality
- For residential use only



Codes/Standards

ANSI Z97.1
CAN/CGSB-12.1
CPSC 16CFR 1201

DISCONTINUED This product has been discontinued.

STERLING® Bath and Shower Doors Five-Year Limited Warranty

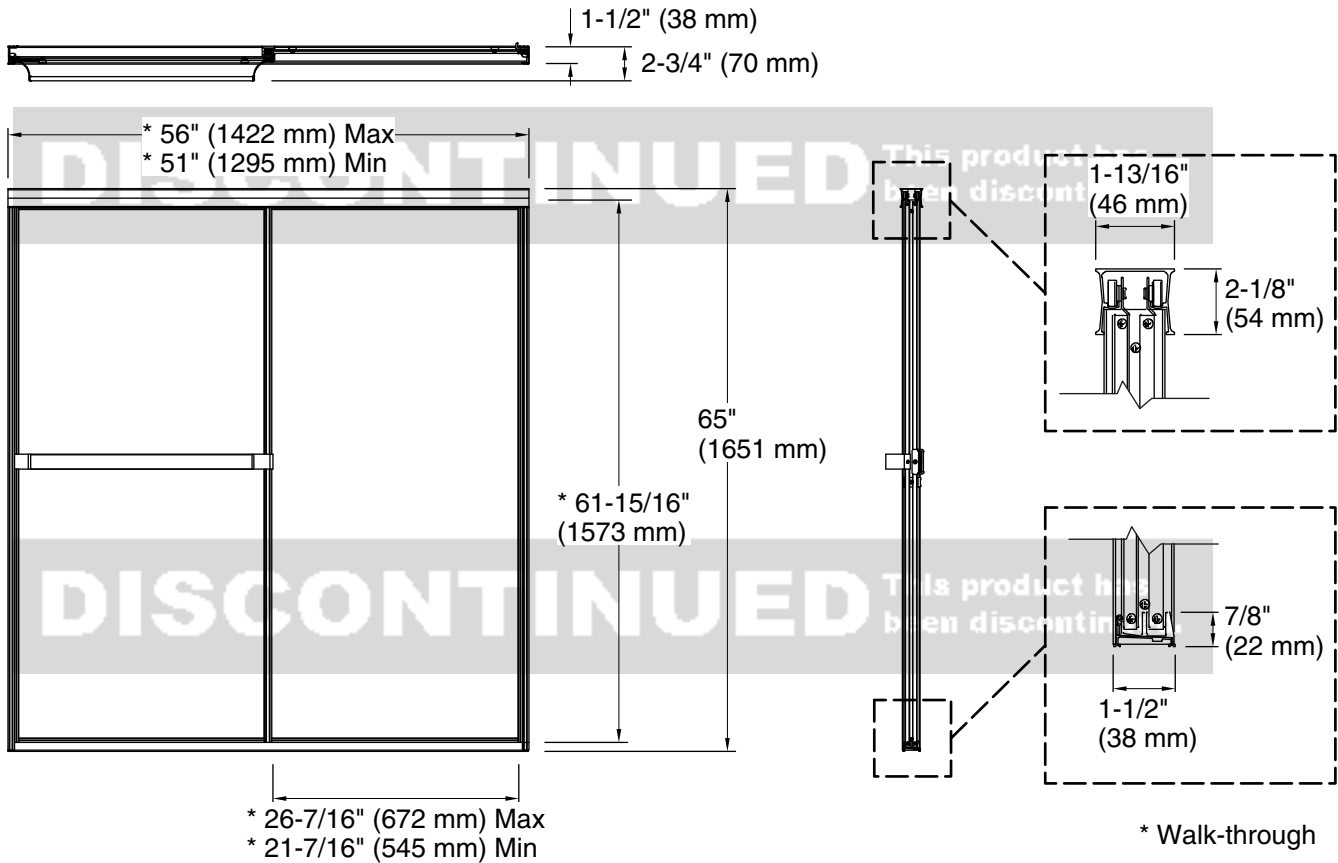
See website for detailed warranty information.

Available Glass Options

Code	Description
------	-------------

	Hammered
--	----------

DISCONTINUED This product has been discontinued.



Technical Information

All product dimensions are nominal.
Base-To-Wall 1/4" (6 mm)
Radius – Max:

Notes

Install this product according to the installation guide.
The vertical opening should be a minimum of 66-1/2" (1689 mm) to allow for installation clearance.