



Standard

Framed sliding shower door

660B-56

Features

- Framed, 1/8" (3 mm) thick tempered glass.
- Towel bar.
- Out-of-plumb adjustability.
- Tempered glass ensures maximum safety and durability.
- Anodized aluminum prevents rusting and corrosion.

Installation

- Not for use in hospitality.
- For residential use only.

Recommended Products/Accessories

K-23723 Faucet cleaner

Included Components

Additional Components:
Hardware kit



Codes/Standards

ANSI Z97.1
CPSC 16CFR 1201


STERLING® Warranty - Bath and Shower Doors

See website for detailed warranty information.

Available Colors/Finishes

Color tiles intended for reference only.

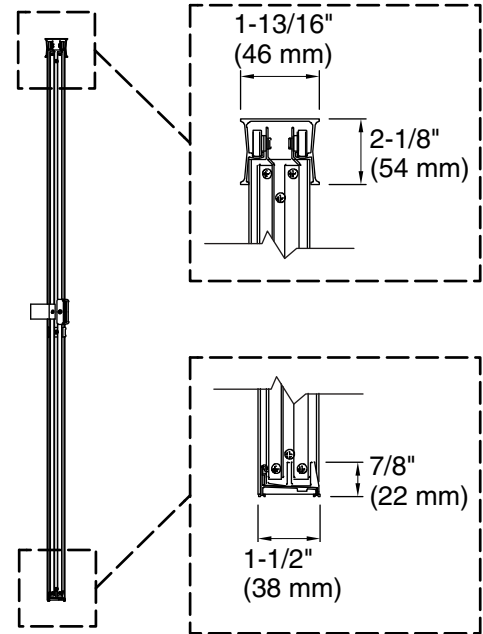
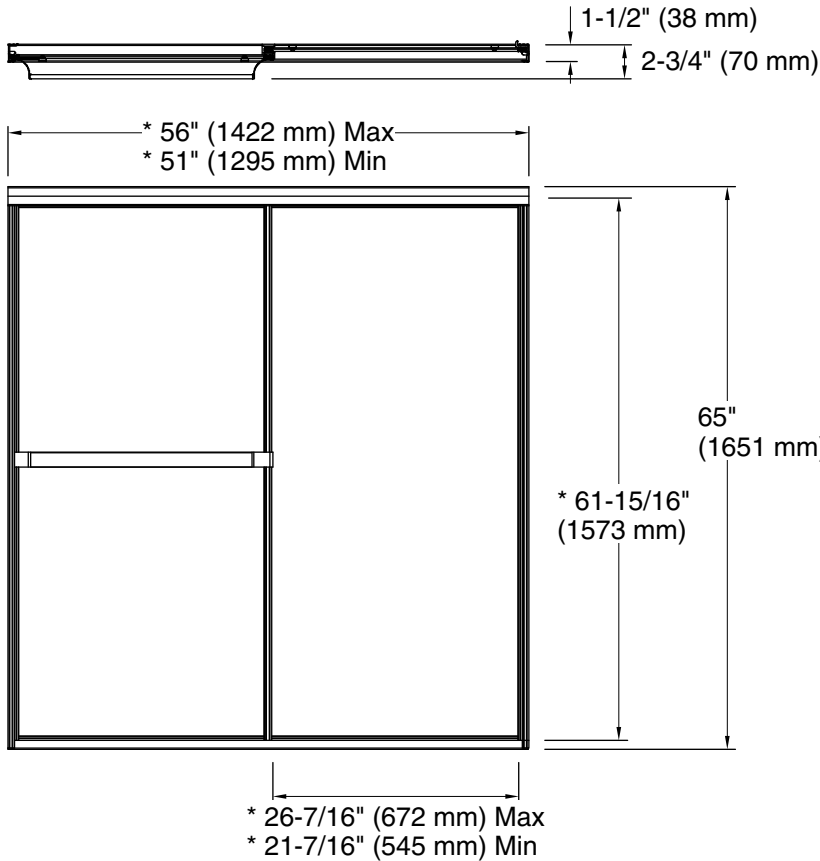
Color	Code	Description
-------	------	-------------

	S	Silver
--------------------------------------------------------------------------------------	---	--------

Available Glass Options

Code	Description
------	-------------

	Hammered
--	----------



* Walk-through

Technical Information

All product dimensions are nominal.
 Installation type: For shower base installation
 Opening Width - Min: 51" (1295 mm)
 Opening Width - Max: 56" (1422 mm)
 Walk-through - Min: 21-9/16" (548 mm)
 Walk-through - Max: 26-9/16" (675 mm)
 Base-To-Wall Radius 1/4" (6 mm)
 – Max:
 Glass thickness: 1/8" (3 mm)

Notes

Install this product according to the installation guide.
 The vertical opening should be a minimum of 66-1/2" (1689 mm) to allow for installation clearance.