

Features

- Framed, 1/8" (3 mm) thick tempered glass.
- Towel bar.
- Tempered glass ensures enhanced safety and durability.

Material

- Anodized aluminum prevents rust and corrosion.

Installation

- Out-of-plumb adjustability simplifies installation.
- Not for use in hospitality.
- For residential use only.

Recommended Products/Accessories

K-23723 Faucet cleaner

Included Components

Additional Components:

Hardware kit



Codes/Standards

ANSI Z97.1

CPSC 16CFR 1201

This product has been discontinued.

STERLING® Warranty - Bath and Shower Doors

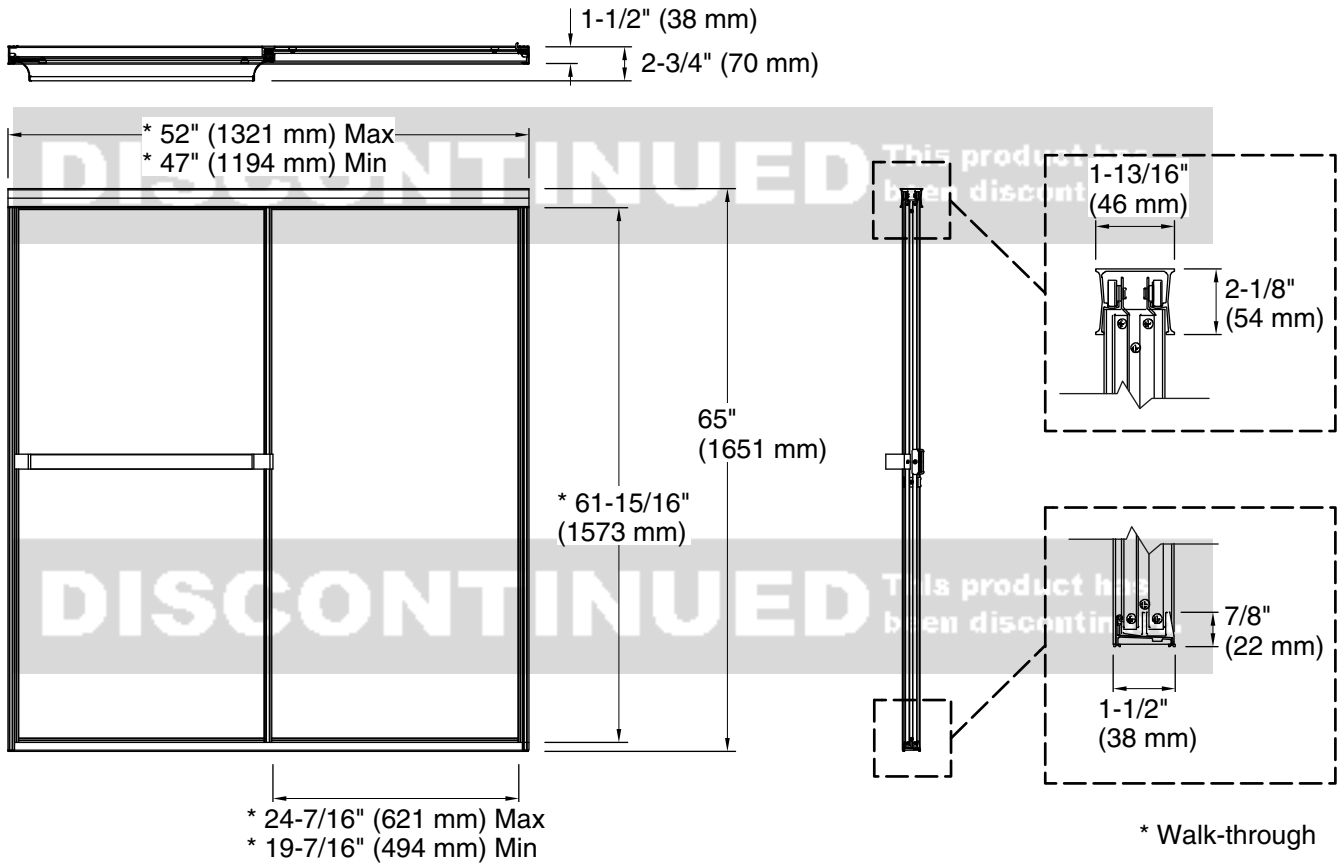
See website for detailed warranty information.

Available Glass Options

Code Description

Hammered

DISCONTINUED This product has been discontinued.



Technical Information

All product dimensions are nominal.

Installation type: For shower base installation

Opening Width - Min: 47" (1194 mm)

Opening Width - Max: 52" (1321 mm)

Walk-through - Min: 19-9/16" (497 mm)

Walk-through - Max: 24-9/16" (624 mm)

Base-To-Wall Radius - Max: 1/4" (6 mm)

Glass thickness: 1/8" (3 mm)

Notes

Install this product according to the installation guide.

The vertical opening should be a minimum of 66-1/2" (1689 mm) to allow for installation clearance.