



# Finesse™

## Framed pivot shower door

### 6506-30

#### Features

- Framed, 1/8" (3 mm) thick tempered glass.
- Exterior towel bar.
- Out-of-plumb adjustability.
- Tempered glass ensures maximum safety and durability.
- Anodized aluminum prevents rusting and corrosion.

#### Installation

- Not for use in hospitality.
- For residential use only.

#### Recommended Products/Accessories

K-23723 Faucet cleaner

#### Included Components

Additional Components:  
Hardware kit



#### Codes/Standards

ANSI Z97.1  
CPSC 16CFR 1201

#### STERLING® Warranty - Bath and Shower Doors

See website for detailed warranty information.

#### Available Colors/Finishes

*Color tiles intended for reference only.*

Color	Code	Description
-------	------	-------------



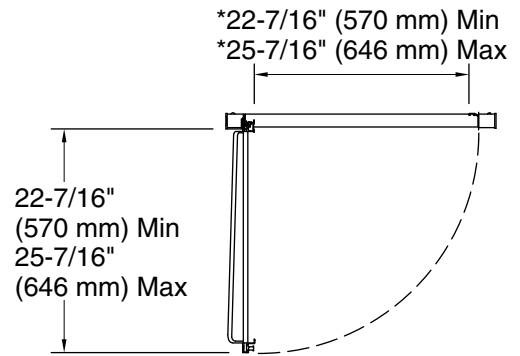
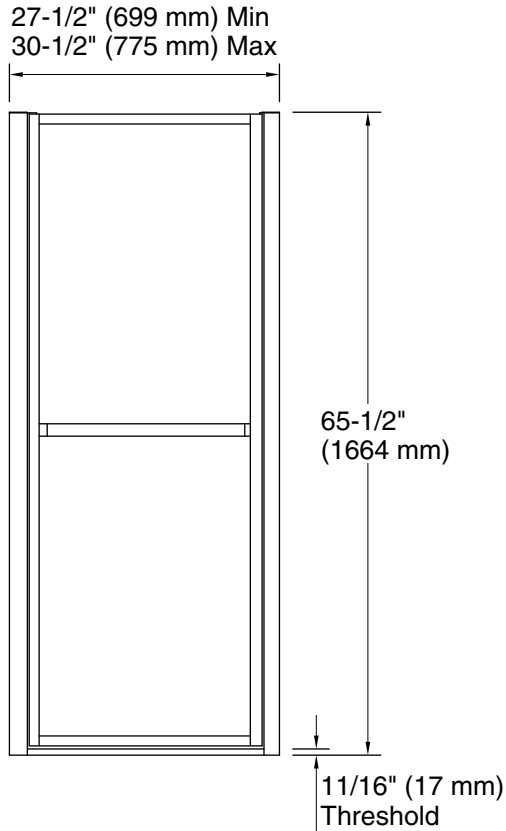
N	Nickel
---	--------

S	Silver
---	--------

#### Available Glass Options

Code	Description
------	-------------

	Rain
--	------



\*Walk-through

### Technical Information

All product dimensions are nominal.

Installation type: For shower base installation

Opening Width - Min: 27-1/2" (699 mm)

Opening Width - Max: 30-1/2" (775 mm)

Walk-through - Min: 22-7/16" (570 mm)

Walk-through - Max: 25-7/16" (646 mm)

Base-To-Wall Radius 1/2" (13 mm)

– Max:

Glass thickness: 1/8" (3 mm)

### Notes

Install this product according to the installation guide.

The vertical opening should be a minimum of 66" (1676 mm) to allow for installation clearance.