

Features

- Frameless.
- 1/4" (6 mm) thick tempered glass.
- CleanCoat® nanotechnology provides a smooth, nonstick surface to help prevent buildup of water stains, bacteria and mildew on your glass, to make it easy to clean and keep it looking like new.
- Knob handle.

Technology

- Out-of-plumb adjustability.
- Tempered glass ensures maximum safety and durability.
- Anodized aluminum prevents rusting and corrosion.

Installation

- Not for use in hospitality.
- For residential use only.

Included Components

Additional Components:
Hardware kit

Codes/Standards

ANSI Z97.1
CPSC 16CFR 1201

STERLING® Warranty - Bath and Shower Doors

See website for detailed warranty information.

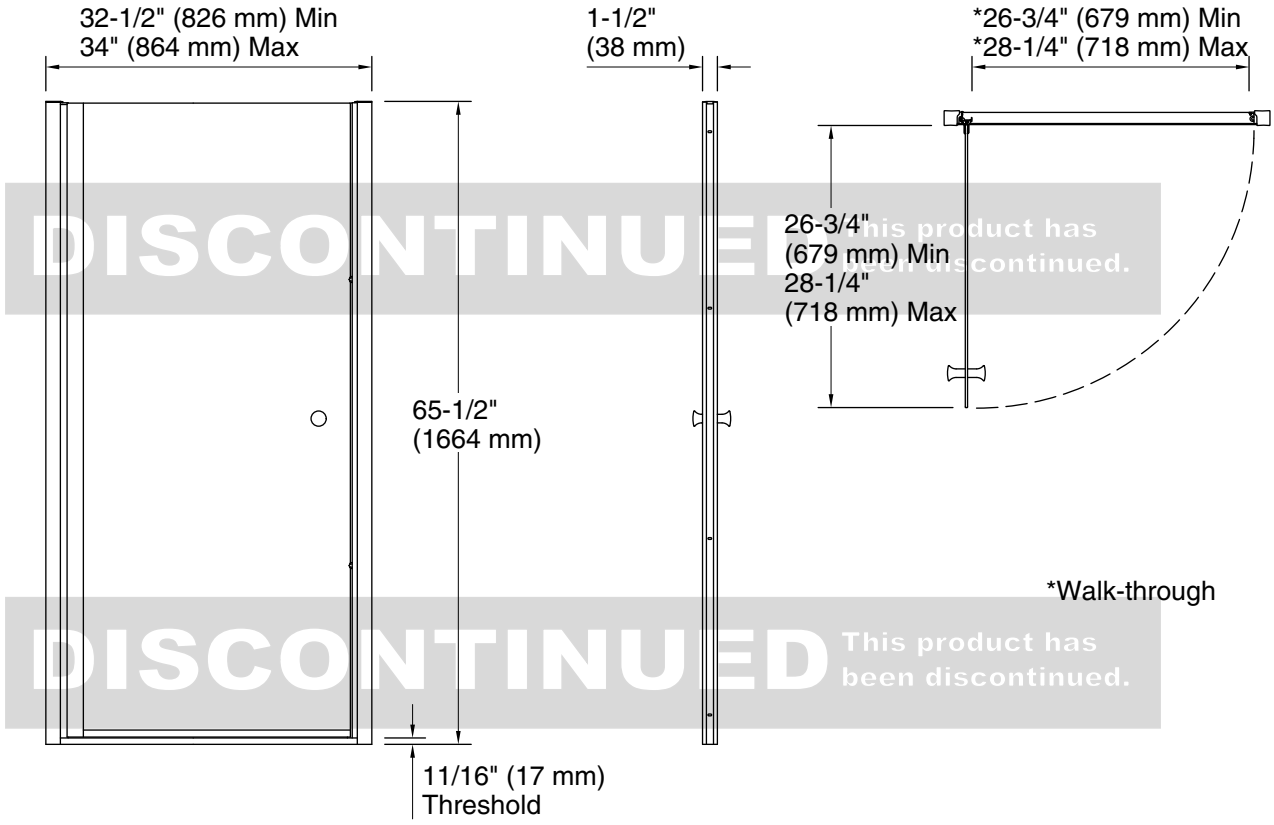
Available Glass Options

Code	Description
------	-------------

Clear

Frosted

DISCONTINUED This product has been discontinued.



Technical Information

- All product dimensions are nominal.
- Installation type: For shower base installation
- Opening Width - Min: 32-1/2" (826 mm)
- Opening Width - Max: 34" (864 mm)
- Walk-through - Min: 26-3/4" (679 mm)
- Walk-through - Max: 28-1/4" (718 mm)
- Glass thickness: 1/4" (6 mm)
- Glass coating: CleanCoat®

Notes

- Install this product according to the installation guide.
- The vertical opening should be a minimum of 66" (1676 mm) to allow for installation clearance.