



63-1/4" x 39-3/8" Vikrell® roll-in shower with grab bars, center drain
62060103

OC-S-63



Features

- 1/2" (12.7 mm) threshold
- Durable swirl-gloss finish
- Three-piece tongue-and-groove walls with snap-together installation
- Includes three factory-installed stainless steel grab bars

Material

- Made from solid Vikrell® material for strength, durability, and lasting beauty

Installation

- Alcove
- Center drain
- Caulk required for proper installation

Recommended Products/Accessories

- K-23726 Drain treatment
- K-23723 Faucet cleaner
- K-23733 Vikrell® cleaner

Included Components

- 62065103 39-3/8" Vikrell® end wall set with grab bars
- 62061100 63-1/2" x 39-3/8" Vikrell® roll-in shower base, center drain, center drain
- 62062103 63-1/4" Vikrell® shower back wall with grab bar



ADA

Codes/Standards

- CSA B45.5/IAPMO Z124
- ASTM E162
- ASTM E662
- ADA
- HUD, UM Bulletin 73
- IAPMO Certification

STERLING® Vikrell® or Acrylic Baths and Shower Bases Ten-Year Limited Warranty
STERLING® Grab Bars Ten-Year Limited Warranty

See website for detailed warranty information.

Available Colors/Finishes

Color tiles intended for reference only.

Color Code Description

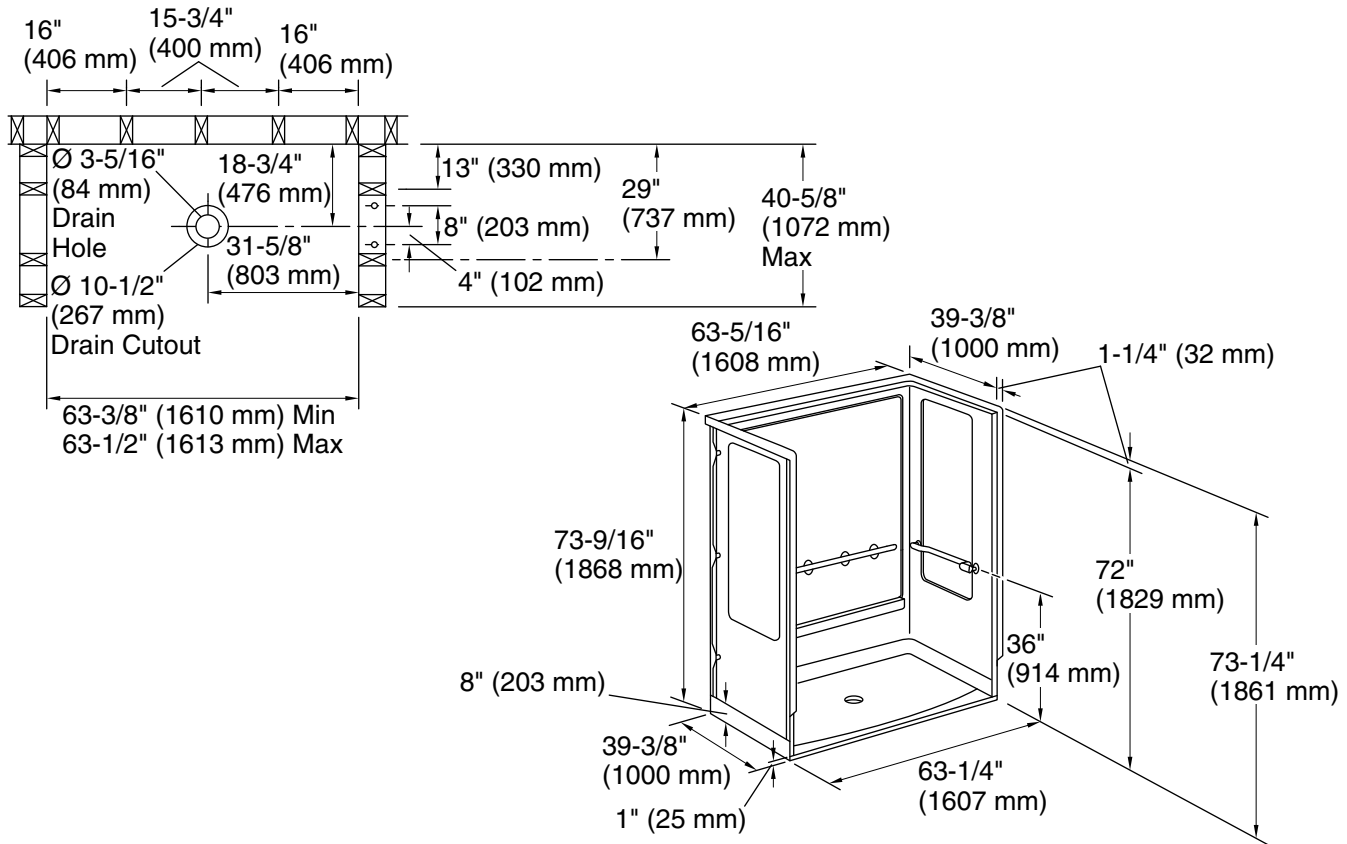
	0	White
--	---	-------

1-800-STERLING (1-800-783-7546)

Kohler Co. reserves the right to make revisions without notice to product specifications.

For the most current Specification Sheet, go to www.sterlingplumbing.com.

3-23-2024 21:11 - US



Technical Information

All product dimensions are nominal.

Drain location: Center

Notes

Install this product according to the installation instructions.

Studs should be positioned as shown.

Backerboards and fasteners protrude beyond the back wall 1-1/2" (38 mm). If installing this product against wall board, 1-1/2" (38 mm) furring strips installed over the wall board are recommended. The stud pocket depth of 40-5/8" (1032 mm) will need to be increased by the combined thickness of the wall board and furring strips.

1/2" minimum finished floor thickness required.

Drain cutout in subfloor to be 10-1/2" (267 mm) per rough-in illustration as shown to allow the backside of the drain to sit below the subfloor surface.

ADA compliant when installed to the specific requirements of these regulations.