



# OC-SS-39

39-5/8" x 39-3/8" shower base  
62051100



## Features

- 1/2" (12.7 mm) threshold.
- Center drain.
- Suitable for tile-down applications.
- Compatible with STERLING wall set (series 6205)
- Type A and B multifamily dwellings: Showers will comply with ICC ANSI A117.1 Standards section 1104.11.3.1.3.3 and the Fair Housing Act Accessibility Guidelines when installed per Requirement 6 (Reinforced walls for grab bars) of the Accessibility Guidelines.

## Material

- Made from solid Vikrell® material for strength, durability, and lasting beauty.

## Recommended Products/Accessories

- K-23726 Drain treatment
- K-23733 Vikrell® cleaner





## Codes/Standards

CSA B45.5/IAPMO Z124  
ASTM E162  
ASTM E662

See website for detailed warranty information.

## Available Colors/Finishes

*Color tiles intended for reference only.*

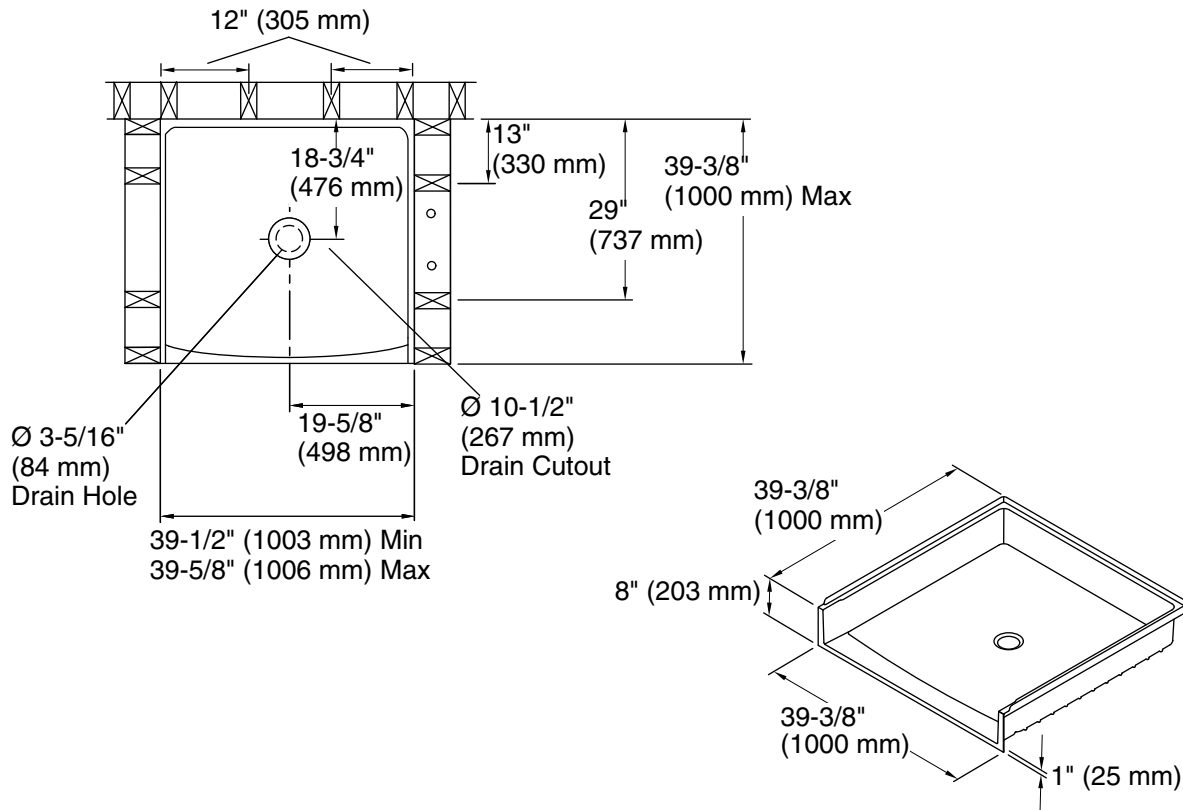
Color	Code	Description
	0	White
	96	KOHLER Biscuit

1-800-STERLING (1-800-783-7546)

Kohler Co. reserves the right to make revisions without notice to product specifications.

For the most current Specification Sheet, go to [www.sterlingplumbing.com](http://www.sterlingplumbing.com).

5-29-2021 07:08 - US/CA



**Technical Information**

All product dimensions are nominal.

Installation: Three-wall alcove

Drain location: Center

**Notes**

Install this product according to the installation instructions.

1/2" minimum finished floor thickness required.

Studs should be positioned roughly as shown.

Drain cutout in subfloor to be 10-1/2" (267 mm) per rough-in illustration as shown to allow the backside of the drain to sit below the subfloor surface.