



Features

- 1/2" (12.7 mm) threshold.
- Center drain.
- Suitable for tile-down application.
- Compatible with STERLING wall set (series 6205)
- Type A and B multifamily dwellings: Showers will comply with ICC ANSI A117.1 Standards section 1104.11.3.1.3.3 and the Fair Housing Act Accessibility Guidelines when installed per Requirement 6 (Reinforced walls for grab bars) of the Accessibility Guidelines.

Material

- Made from solid Vikrell® material for strength, durability, and lasting beauty.

Recommended Products/Accessories

- K-23726 Drain treatment
- K-23733 Vikrell® cleaner



ADA

Codes/Standards



CSA B45.5/IAPMO Z124
ASTM E162
ASTM E662
ADA

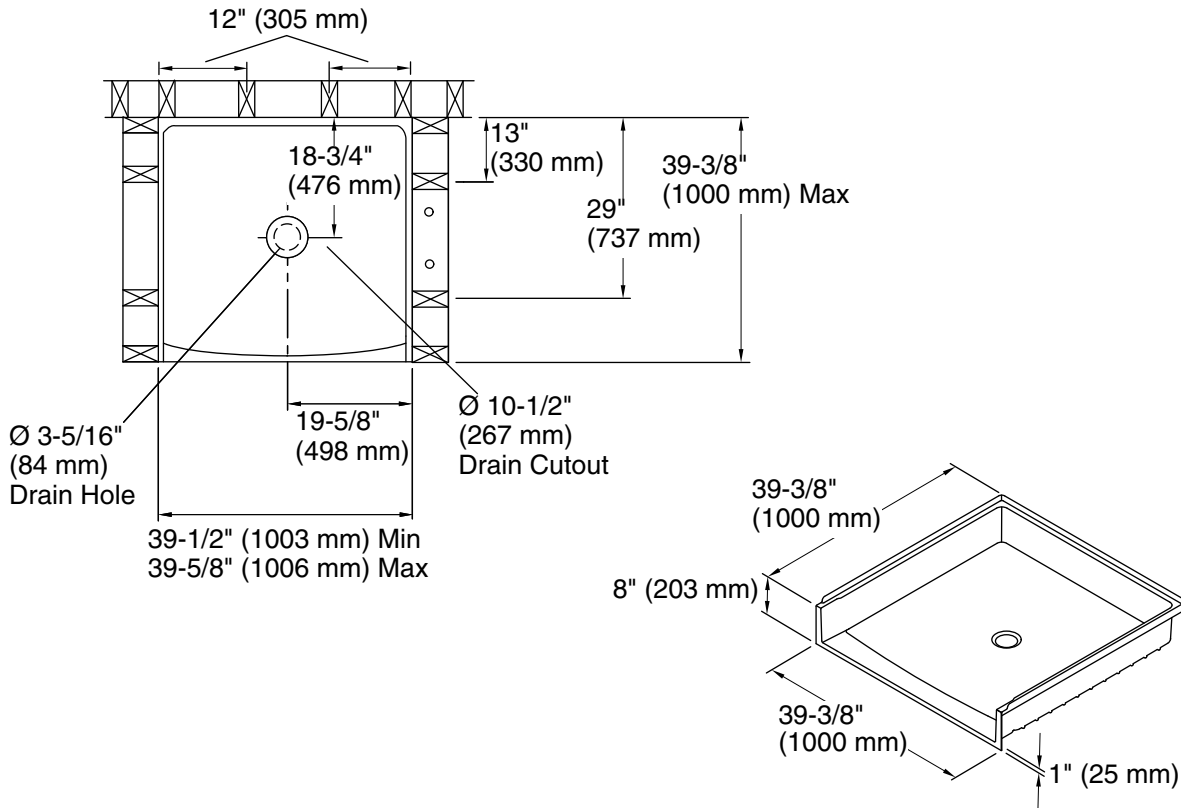
Warranty – Bathing Fixtures (and) Kitchen and Utility Sinks Made of Solid Vikrell® Material

See website for detailed warranty information.

Available Colors/Finishes

Color tiles intended for reference only.

Color	Code	Description
	0	White
	96	KOHLER Biscuit



Technical Information

All product dimensions are nominal.

Installation: Three-wall alcove

Drain location: Center

Notes

Install this product according to the installation instructions.

1/2" minimum finished floor thickness required. Studs should be positioned roughly as shown. Drain cutout in subfloor to be 10-1/2" (267 mm) per rough-in illustration as shown to allow the backside of the drain to sit below the subfloor surface.

ADA compliant when installed to the specific requirements of these regulations.