



Features

- 1/2" (12.7 mm) threshold.
- Durable swirl-gloss finish.
- Center drain.
- Three-piece, tongue-and-groove walls with snap-together installation.
- Aging In Place backerboards.
- Type A and B multifamily dwellings: Showers will comply with ICC ANSI A117.1 Standards section 1104.11.3.1.3.3 and the Fair Housing Act Accessibility Guidelines when installed per Requirement 6 (Reinforced walls for grab bars) of the Accessibility Guidelines.

Material

- Made from solid Vikrell® material for strength, durability, and lasting beauty.

Installation

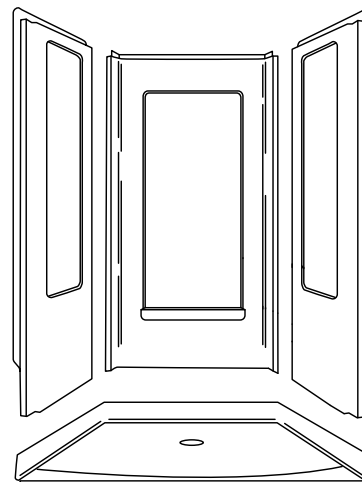
- Alcove.
- Caulk required for proper installation.

Recommended Products/Accessories

- K-23726 Drain treatment
- K-23733 Vikrell® cleaner

Included Components

- Product consists of:
- 62055106 Seated shower end wall w/Aging in Place backerboard
 - 62051100 39-3/8" shower base
 - 62052106 39-3/8" shower back wall w/Aging in Place backerboard



Codes/Standards



- CSA B45.5/IAPMO Z124
- ASTM E162
- ASTM E662
- HUD, UM Bulletin 73

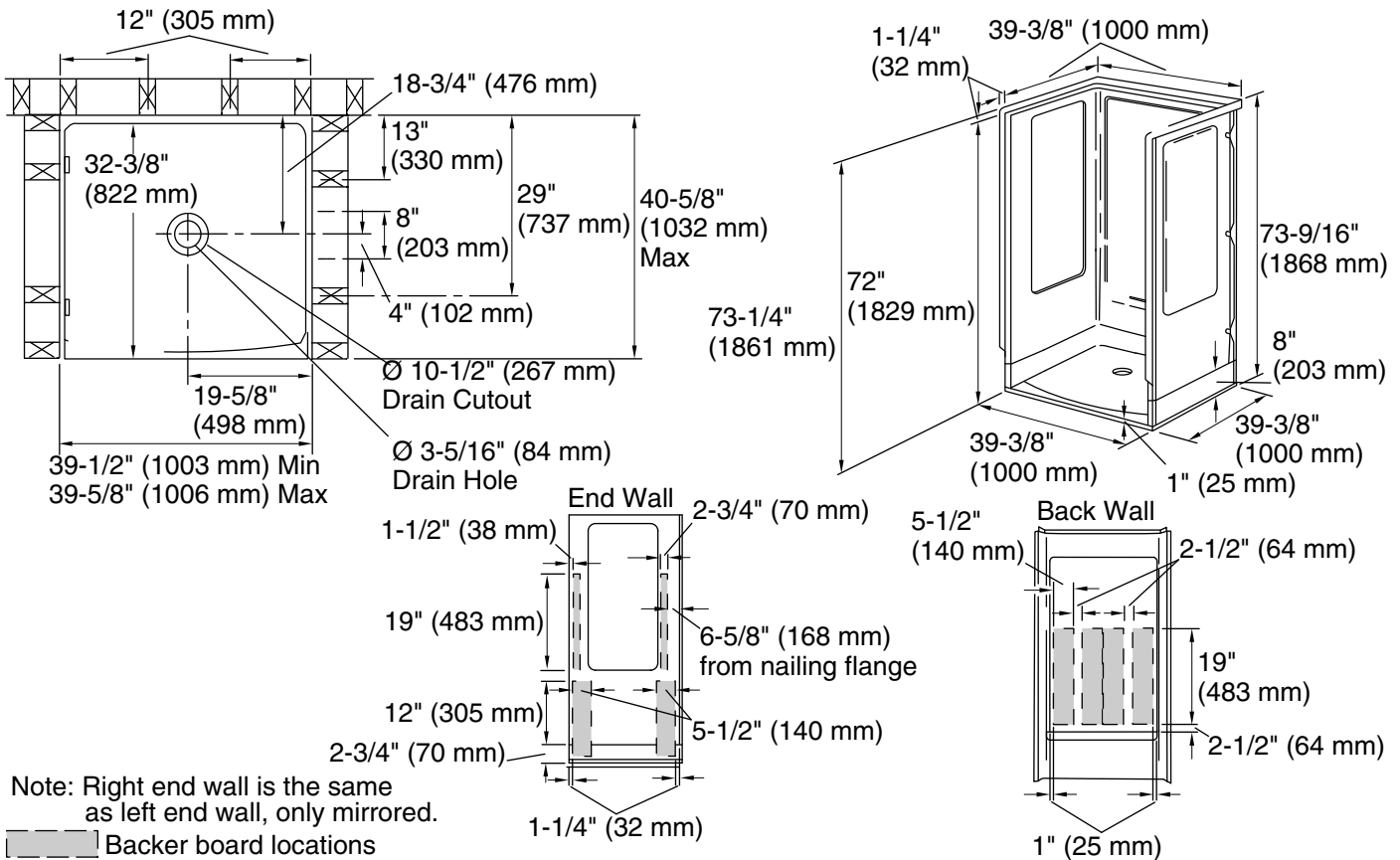
Warranty – Bathing Fixtures (and Kitchen and Utility Sinks Made of Solid Vikrell® Material)

See website for detailed warranty information.

Available Colors/Finishes

Color tiles intended for reference only.

Color	Code	Description
	0	White
	96	KOHLER Biscuit



Technical Information

All product dimensions are nominal.

Installation: Three-wall alcove

Drain location: Center

Minimum flat for door: 3-1/8" (80 mm)

Threshold height: 1/2" (13 mm)

Notes

Install this product according to the installation instructions.

Backerboards and fasteners protrude beyond the back wall 1-1/2" (38 mm). If installing this product against wall board, 1-1/2" (38 mm) furring strips installed over the wall board are recommended. The stud pocket depth of 40-5/8" (1032 mm) will need to be increased by the combined thickness of the wall board and furring strips.

1/2" minimum finished floor thickness required.

Studs should be positioned as shown.

Attach grab bars at the specified backerboard locations only.

Drain cutout in subfloor to be 10-1/2" (267 mm) per rough-in illustration as shown to allow the backside of the drain to sit below the subfloor surface.